



saipwell
斯普威尔

Products Manual

Waterproof Box 防水盒选型手册

防水盒选型手册

Waterproof Box Products Manual

斯普威尔电气有限公司
SAIPWELL ELECTRIC CO.,LTD.

TEL: 0577-62760721

FAX: 0577-62760731

E-mail: info@saipwell.com

www.saipwell.com

浙江省温州市洞头区灵昆街道雁云路176号

No.176 Yanyun Road, Lingkun Street,

Dongtou District, Wenzhou, Zhejiang,China

上海斯普威尔电气有限公司
SHANGHAI SAIPWELL ELECTRIC CO., LTD.

TEL: 021-33050667

FAX: 021-33050669

E-mail: info@saipwell.com

www.saipwell.com

上海市宝山区罗店路388弄10幢

No.10 Building, Lane 388, Luodian Road,

Baoshan District, Shanghai.

赛普电气集团有限公司
SAIP ELECTRIC GROUP CO., LTD.

北京·上海·广州·温州·烟台·丽水
Beijing · Shanghai · Guangzhou · Wenzhou · Yantai · Lishui

© 202606



Copyright © Saip ELEC. All Right Reserved
Deliver happiness to everyone



To create products
that deliver happiness to everyone

—— 铸造充满幸福的产品 ——

CONTENTS

Copyright © SaipWell ELEC. All Right Reserved Deliver happiness to everyone

目录

02	关于斯普威尔 About SaipWell
03	品牌故事 Brand Story
05	公司愿景 Enterprise Vision
07	经营理念 Operation Concept
09	价值观 Values
12	产品索引 About Products

关于斯普威尔

SAIPWELL ELEC. 

Copyright © SaipWell ELEC. All Right Reserved Deliver happiness to everyone

斯普威尔电气是赛普电气集团旗下的电气公司，是全球箱体领域的引领者。主要业务涉及电气机柜、IT机柜、成套电器和新能源产品等核心领域。自2006年成立以来，一直助力产品的提质升级，传递安全、智能和幸福的价值理念。

斯普威尔电气引进国外资深管理与经验丰富的专业人事，以严谨的管理、有创意的研发团队、先进的营销理念，在传统产品的基础上创造和发展了更具前沿感、设计感和良好性价比的产品。

斯普威尔电气设有3大营销公司，分别在上海宝山、广州增城、温州瓯江口；4大生产基地，分布在浙江温州、浙江乐清、浙江丽水、山东烟台；并拥有超过100家的代理和遍布全球的销售网络。

提供产品，更提供智慧。斯普威尔与多家国际化公司建立了良好的长期合作伙伴关系，并一如既往地坚持“合作发展，共同提高”的服务宗旨，以真诚的合作态度来最大程度地满足客户的需求，助力电气行业实现可持续发展的期望，确立全球市场的领先地位。

Saipwell Electricity is a subsidiary of Saip Electric Group and is a leader in the global enclosure market. Its main business involves the manufacturing of electrical and IT enclosures, assembly of whole electrical switchgear systems and development of enclosures for use in new energy solutions. Since our company's inception in 2006, we have been improving and upgrading the quality of our products as we work towards our goal of delivering happiness to our customers through their use of our safe and intelligent products.

Saipwell Electricity has been actively recruiting employees with management experience in both local and foreign companies. With this wealth of experience, creative marketing strategies and innovative R&D, we strive to create and develop more cutting-edge, cost-effective and well-designed products than their predecessors.

Saipwell Electricity has 3 authorized distributors in Baoshan (Shanghai), Zengcheng (Guangzhou), Oujiangkou (Wenzhou) and a total of 4 production sites in Wenzhou (Zhejiang), Yueqing (Zhejiang), Lishui (Zhejiang), Yantai (Shandong). We also have a global sales network of more than 100 agents supporting our customers worldwide.

We provide not just products, but also solutions to our customers. Saipwell has established good long-term partnerships with many international companies over the years. Together with our partners, we aim to achieve our mission of collective development and improvement by adopting a sincere attitude in meeting the needs of our customers; and in the process play a role in helping the Chinese electrical industry establish sustainable development and a leading position in the global electrical market.



Us.

BRAND STORY.

品牌故事

SAIPWELL ELEC.

Copyright © SaipWell ELEC. All Right Reserved Deliver happiness to everyone

斯普威尔Logo形似一只可爱灵动的海豚，用它的灵性与友好向世人传递着美好、快乐与幸福。

早在古希腊人们就很喜欢海豚，他们认为看到海豚在船周围的波浪中是一个好兆头。传说阿里翁曾被所乘船上的水手抢劫，被迫跳海，一只海豚被他的歌声打动，因而把他救上岸。直至今日，海豚这种大海里的精灵仍然深受全世界人民的喜爱，一直在人类文化中扮演着重要的角色。斯普威尔也有着海豚般的聪慧与友爱，在您最需要我们的时候为您提供最大的支持，用我们的灵感和智慧，用最靠谱的性格，成为您最真诚的伙伴。

The inspiration of our logo came from the cute-looking dolphin and its spirit of friendliness and ability to bring happiness to everyone around it.

Since ancient Greek times, dolphins are well-loved animals and it is thought to be a good sign if one sees them in the waves or waters. Legend has it that Arion was robbed by sailors in his boat and forced to jump into the sea. Moved by his singing, a dolphin rescued him to shore. Today, dolphins, the spirits of the sea, are loved by people all over the world and play an important role in human culture. Saipwell too, with a dolphin-like intelligence and friendship will provide you with the greatest support when you need it. Using our inspiration and knowledge, we hope to become your most reliable and sincere partner.

VISION.

公司愿景

SAIPWELL ELEC.

Copyright © SaipWell ELEC. All Right Reserved Deliver happiness to everyone

“创领未来箱体”这一公司愿景恰恰反映了我们希望为世界带来积极的影响。斯普威尔拥有强大的研发设计能力，目前已拥有20余项箱体专利技术和著作权。最新落成的温州生产基地采用柔性钣金生产线（FMS），箱体的生产实现了自动上下料、自动切割、自动冲剪、机器人折弯、机器人焊接、交互式PU发泡和理光UV彩色打印。

专注研发生产和科技投入，这是斯普威尔扎根行业发展恒久不变的基调，未来的每一步成长，我们都愿意与您共同参与，相濡以沫，携手并进。

Creating Enclosures of the Future. This enterprise vision reflects our desire to make a positive impact on the world. Saipwell has strong R&D and design capabilities and currently has more than 20 enclosure design trademarks and technology patents. Our newly completed Wenzhou production base is fitted with an automated flexible sheet metal production line (FMS). Through automatic loading and unloading, automatic punching and cutting, robot bending, robot welding, interactive PU foaming and Ricoh UV color printing, product precision and costs efficiencies are achieved.

A focus on R&D and technological investments will continue to be cornerstones of Saipwell' s development. We look forward to you participating in every step of our growth and making progress together, hand in hand.

铸造充满幸福的产品

To create products that deliver happiness to everyone





商业原则
BUSINESS
PRINCIPLE

做简单的生意 简单地做生意
To conduct business in a simple
straightforward manner.

企业精神
CORPORATE
SPIRIT

耐心 细心
Patience Dedication

Concept.

经营理念 

SAIPWELL ELEC.

Copyright © SaipWell ELEC. All Right Reserved Deliver happiness to everyone

人生观
HUMAN
PRINCIPLE

客户至上 员工第一
Customers are our topmost priority,
followed by our employees and stakeholders

工作观
WORKING
PRINCIPLE

快乐工作 幸福生活
To work and live happily

产品观
PRODUCT
PRINCIPLE

文化电气 / 幸福电气 / 品质电气 / 信息电气 / 便捷电气
To manufacture quality, innovative products that bring
convenience to its users

Value.

价值观

SAIPWELL ELEC.

Copyright © SaipWell ELEC. All Right Reserved Deliver happiness to everyone

- 平等——人人平等
 - 拼搏——全力以赴，付出不亚于任何人的努力
 - 创新——思想创新、产品创新、管理创新
 - 信任——相信别人并敢于托付
 - 感恩——活着就要感谢
 - 利他——积善行，思利他
- Equality - Everyone is equal
 Fighting Spirit - Putting in the best effort in everything
 Innovation - Innovative & creative product development and management
 Trust - To trust and be trusted
 Gratitude - Be grateful and appreciative
 Altruism - Do good deeds and be considerate of others

Honor

斯普威尔的证书

SAIPWELL ELEC.

Copyright © SaipWell ELEC. All Right Reserved Deliver happiness to everyone



Index.

Copyright © Saip ELEC. All Right Reserved
Deliver happiness to everyone

产品索引

防水盒 Waterproof Box	13-23
防水端子盒 Terminal Box	24
防爆接线盒 EX-proof Junction Box	25-26
按钮盒 Push-button Box	27
铝盒 Aluminum Enclosure	28-35
防水箱 Waterproof Enclosure	36-49
玻璃纤维箱 Fiberglass Enclosure	50-53
防水配电箱 Waterproof Distribution Box	54-71
防水接头及附件 Cable Gland & Accessories	72-94

铸造充满幸福的产品

To create products
that deliver happiness to everyone

SAIPWELL ELEC.

Copyright © SaipWell ELEC. All Right Reserved Deliver
happiness to everyone





技术参数 TECHNICAL DATA

- **材料:**
盒体: ABS, (PC可定制)
灰色盖: ABS, (PC可定制)
透明盖: PC
防水圈: PU发泡
盖子螺丝: POM(聚甲醛)
底板安装螺母: 黄铜
- **IP 防护等级:** IP66(按照IEC 60529标准)
- **NEMA 防护等级:** NEMA 4X
- **抗冲击等级:** IK08
- **认证:** CE, RoHS
- **应用场景:** 机场、地铁站、按钮盒、小型终端机、信号机箱、继电器、传感器、通信接线盒等设备。
- **使用环境温度:** -40°C~+100°C (短时间)
-40°C~+80°C (连续)
- **标准产品包含:**
底盒, 盖子, 盖子螺丝
- **可选配件:**
不锈钢盖子螺丝
塑料墙壁安装挂件
不锈钢墙壁安装挂件
盖子防护橡胶堵塞件
增高中框
中门安装板
蜂窝底板
- **Ambient temperature range:**
-40°C~+100°C (short time)
-40°C~+80°C (continuous)
- **Standard products include:**
Box bottom, Box cover, Cover screws
- **Optional accessories:**
Stainless steel cover screws
Plastic wall mounting bracket
Stainless steel wall mounting bracket
Rubber Grommet for Cover
Increase middle frame
Inner door
Honeycomb plastic mounting plate
- **Material:**
Enclosure: ABS (Options: PC)
Cover grey: ABS (Options: PC)
Cover transparent: Polycarbonate
Waterproof Ring: PU
Cover screws: POM
Mounting plate nuts: Copper
- **Protection category IP to IEC 60529:** IP66
- **Protection category NEMA:** NEMA 4X
- **Against mechanical impacts:** IK08
- **Approvals:** CE, RoHS
- **Applications:** Airport, subway station, and it can be a pushbutton box, terminal box, signal box, relays box, sensor box communication junction box and so on.
- **Color:**
RAL7032(Other Color可以定制)

产品展示 PRODUCT DETAIL



球形螺丝, 可以当作铰链使用
Spherical screw can be used as a hinge



用铅封线穿过螺丝头孔, 可以将盒子封锁
Pass a lead seal wire through the screw hole to lock the box



一体成型发泡防水, 防护能力更强
Integrated PU ring, stronger waterproof, and dustproof capabilities

型号和尺寸 MODEL & SIZE

尺寸 Size	灰盖 Gray Cover	透明盖 Clear Cover	备注
长*宽*高 (mm) L*W*H(mm)	型号 Model	型号 Model	Remark
80*75*65	SP-UG-0875	SP-UT-0875	
110*110*65	SP-UG-1111	SP-UT-1111	
120*80*65	SP-UG-1208	SP-UT-1208	
130*130*75	SP-UG-1313	SP-UT-1313	
170*80*65	SP-UG-1708	SP-UT-1708	
180*130*75	SP-UG-1813	SP-UT-1813	
200*150*100	SP-UG-2015	SP-UT-2015	可拼接 Spliced
230*80*85	SP-UG-2308	SP-UT-2308	
280*80*85	SP-UG-2808	SP-UT-2808	

配件 ACCESSORIES



DS-AG SWITCH BOX(SCREW OPEN-CLOSE TYPE)

DS-AGS 开关防水盒



技术参数 TECHNICAL DATA

- 材料:**
 - 箱体: ABS, (PC可定制)
 - 灰色盖: ABS, (PC可定制)
 - 透明盖: 聚碳酸酯 (PC)
 - 防水圈: PU发泡
 - 盖子螺丝: 增强尼龙
 - 底板安装螺母: 黄铜
 - 金属搭扣和铰链: 304不锈钢
- 颜色:**
 - RAL7032(其他颜色可以定制)
- IP 防护等级:** IP66(按照IEC 60529标准)
- NEMA 防护等级:** NEMA 4X
- 抗冲击等级:** IK08
- 认证:** CE, RoHS
- 应用场景:** 机场、地铁站、按钮盒、小型终端机、信号机箱、继电器、传感器、通信接线盒等设备。
- Protection category IP to IEC 60529:** IP66
- Protection category NEMA:** NEMA 4X
- Against mechanical impacts:** IK08
- Approvals:** CE, RoHS
- Applications:** Airport, subway station, and it can be a pushbutton box, terminal box, signal box, relays box, sensor box communication junction box and so on.
- 使用环境温度:** -40°C~+100°C (短时间)
-40°C~+80°C (连续)
- Ambient temperature range:** -40°C~+100°C (short time)
-40°C~+80°C (continuous)
- 标准产品包含:** 底盒, 盖子, 盖子螺丝
- Standard products include:** Box bottom, Box cover, Cover screws
- 可选配件:** 金属墙壁安装挂件
蜂窝底板
- Optional accessories:** Steel wall mounting bracket
Honeycomb plastic mounting plate

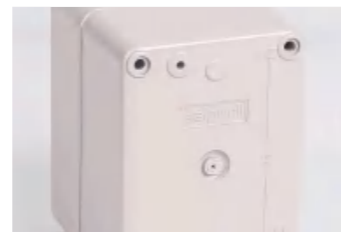
产品展示 PRODUCT DETAIL



一体成型发泡防水, 防护能力更强
Integrated PU ring, stronger waterproof, and dustproof capabilities



底部安装柱, 方便安装底板和导轨
Bottom mounting posts facilitate installation of base plates and guide rails



通过壳体背面四角螺丝孔, 可配安装挂角, 固定在墙上。
Through the four-corner screw holes on the back of the casing, it can be equipped with mounting angles and fixed on the wall.

DS-AG SWITCH BOX(SCREW OPEN-CLOSE TYPE)

DS-AGS 开关防水盒



型号和尺寸 MODEL & SIZE

尺寸 Size	灰盖 Gray Cover	透明盖 Clear Cover	灰盖带搭扣铰链 Cary Cover, with Clasps and Hinges	透盖带搭扣铰链 Clear Cover, with Clasps and Hinges	塑料底板尺 (mm)	备注
长*宽*高 (mm) L*W*H(mm)	型号 Model	型号 Model	型号 Model	型号 Model	Size of plastic mounting plate(mm)	Remark
50*65*55	DS-AG-0506	DS-AT-0506	DS-AGS-0506	DS-ATS-0506		金属螺丝 metal screw
65*95*55	DS-AG-0609	DS-AT-0609	DS-AGS-0609	DS-ATS-0609		自带底板 built in mounting plate
80*110*45	DS-AG-0811-S	DS-AT-0811-S	DS-AGS-0811-S	DS-ATS-0811-S		
80*110*70	DS-AG-0811		DS-AGS-0811	DS-ATS-0811	98*66*2	
80*110*85	DS-AG-0811-1		DS-AGS-0811-1	DS-ATS-0811-1		
80*130*70	DS-AG-0813	DS-AT-0813	DS-AGS-0813	DS-ATS-0813		
80*130*85	DS-AG-0813-1		DS-AGS-0813-1	DS-ATS-0813-1	118*68*2	
80*160*55	DS-AG-0816-S	DS-AT-0816-S	DS-AGS-0816-S	DS-ATS-0816-S	150*70*2	金属螺丝 metal screw
80*180*70	DS-AG-0818	DS-AT-0818	DS-AGS-0818	DS-ATS-0818	168*67*2	
80*250*65	DS-AG-0825	DS-AT-0825	DS-AGS-0825	DS-ATS-0825		
80*250*85	DS-AG-0825-1		DS-AGS-0825-1	DS-ATS-0825-1	238*68*2	
100*100*50	DS-AG-1010-S		DS-AGS-1010-S			自攻金属螺丝 Self-tapping metal screws
100*100*75	DS-AG-1010	DS-AT-1010	DS-AGS-1010	DS-ATS-1010	87*87*2	
125*125*75	DS-AG-1212-S	DS-AT-1212-S	DS-AGS-1212-S	DS-ATS-1212-S		
125*125*100	DS-AG-1212		DS-AGS-1212	DS-ATS-1212	110*110*2	
125*175*75	DS-AG-1217	DS-AT-1217	DS-AGS-1217	DS-ATS-1217		
125*175*100	DS-AG-1217-1		DS-AGS-1217-1	DS-ATS-1217-1	163*114*2	
175*175*100	DS-AG-1717-1	DS-AT-1717-1	DS-AGS-1717-1	DS-ATS-1717-1	163*163*2	
175*250*75	DS-AG-1725	DS-AT-1725	DS-AGS-1725	DS-ATS-1725		
175*250*100	DS-AG-1725-1		DS-AGS-1725-1	DS-ATS-1725-1	238*162*2	
140*170*95	DS-AG-1417	DS-AT-1417	DS-AGS-1417	DS-ATS-1417	155*125*2	
150*200*100	DS-AG-1520	DS-AT-1520	DS-AGS-1520	DS-ATS-1520		
150*200*130	DS-AG-1520-1		DS-AGS-1520-1	DS-ATS-1520-1	184*133*2	
150*250*100	DS-AG-1525	DS-AT-1525	DS-AGS-1525	DS-ATS-1525		
150*250*130	DS-AG-1525-1		DS-AGS-1525-1	DS-ATS-1525-1	235*135*2	
190*190*130	DS-AG-1919	DS-AT-1919	DS-AGS-1919	DS-ATS-1919		防水圈 Remove waterproof ring
200*200*95	DS-AG-2020-S	DS-AT-2020-S	DS-AGS-2020-S	DS-ATS-2020-S		
200*200*130	DS-AG-2020		DS-AGS-2020	DS-ATS-2020	184*184*2	
280*190*130	DS-AG-2819	DS-AT-2819	DS-AGS-2819	DS-ATS-2819		
280*190*180	DS-AG-2819-1		DS-AGS-2819-1	DS-ATS-2819-1	260*161*2	防水圈 Remove waterproof ring
280*280*130	DS-AG-2828	DS-AT-2828	DS-AGS-2828	DS-ATS-2828		
280*280*180	DS-AG-2828-1		DS-AGS-2828-1	DS-ATS-2828-1	252*252*2	防水圈 Remove waterproof ring
380*190*130	DS-AG-3819	DS-AT-3819	DS-AGS-3819	DS-ATS-3819		
380*190*180	DS-AG-3819-1		DS-AGS-3819-1	DS-ATS-3819-1	358*164*2	防水圈 Remove waterproof ring
380*280*130	DS-AG-3828	DS-AT-3828	DS-AGS-3828	DS-ATS-3828		防水圈 Remove waterproof ring
380*280*180	DS-AG-3828-1	DS-AT-3828-1	DS-AGS-3828-1	DS-ATS-3828-1		防水圈 Remove waterproof ring
560*380*185	DS-AG-5638	DS-AT-5638	DS-AGS-5638	DS-ATS-5638		防水圈 Remove waterproof ring
560*380*265	DS-AG-5638-1		DS-AGS-5638-1			防水圈 Remove waterproof ring

EUROPEAN WATERPROOF ELECTRICAL BOX (CONCEALED HINGE)

SP-PC 欧式防水电气箱 (内铰链)



EUROPEAN WATERPROOF ELECTRICAL BOX (CONCEALED HINGE)

SP-PC 欧式防水电气箱 (内铰链)



技术参数 TECHNICAL DATA

- 材料:**
 盒体和盖子: 聚碳酸酯 (PC)
 防水圈: PU发泡
 盖子螺丝: 聚碳酸酯 (PC)
 塑料安装挂件: 聚碳酸酯 (PC)
 安装挂件螺丝: 铁镀镍
 内铰链: 尼龙
- IP 防护等级:** IP66(按照IEC 60529标准)
- NEMA 防护等级:** NEMA 4X
- 抗冲击等级:** IK10
- 阻燃等级:** V2(按照UL94-2013 标准)
- 认证:** CE, RoHS
- 应用场合:** 端子箱、配电板、仪器仪表盒、信号箱, 插座箱, 电源箱等设备
- Material:**
 Enclosure & Cover: Polycarbonate
 Waterproof Ring: PU
 Cover screws: Polycarbonate
 Plastic wall mounting bracket: PC
 Bracket screws: Nickel-plated iron
 Hinge: PA66
- Protection category IP to IEC 60529:** IP66
- Protection category NEMA:** NEMA 4X
- Against mechanical impacts:** IK10
- Flame retardant rating:**V2(UL94-2013 standard)
- Approvals:** CE, RoHS
- Applications:** Terminal box, measuring box, gauge box, power distribution box, control box, socket box, etc.

- 使用环境温度:** -40°C~+132°C (短时间)
 -40°C~+130°C (连续)
- 标准产品包含:**
 底盒, 盖子, 盖子螺丝, 塑料墙壁安装挂件
- 可选配件:**
 不锈钢墙壁安装挂件
 金属安装底板

- Ambient temperature range:**
 -40°C~+132°C (short time)
 -40°C~+130°C (continuous)
- Standard products include:**
 Box bottom, Box cover, Cover screws,
 Plastic wall mounting bracket
- Optional accessories:**
 Steel wall mounting bracket
 Steel mounting plate

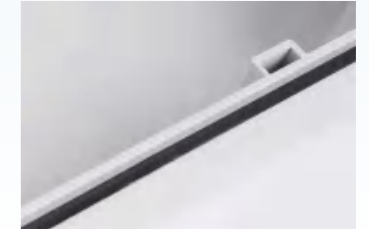
产品展示 PRODUCT DETAIL



暗铰链连接, 开启便捷, 外形美观
 Concealed hinge connection for easy opening and an attractive appearance



塑料螺丝防脱落设计, 不生锈变形
 The plastic screws have an anti-drop design and do not rust or deform

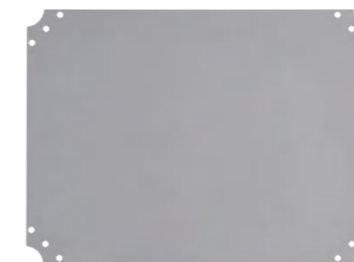


一体成型发泡防水, 防护能力更强
 Integrated PU ring, stronger waterproof, and dustproof capabilities

型号和尺寸 MODEL & SIZE

尺寸 Size	灰盖 Gray Cover	透明盖 Clear Cover	备注
长*宽*高 (mm) L*W*H(mm)	型号 Model	型号 Model	Remark
280*190*130	SP-PC-281913	SP-PT-281913	四颗螺丝 Four screws
280*380*130	SP-PC-283813	SP-PT-283813	四颗螺丝 Four screws
280*280*160	SP-PC-282816		四颗螺丝 Four screws
360*360*160	SP-PC-363616		四颗螺丝 Four screws
220*330*150	SP-PC-223315		四颗螺丝 Four screws
300*400*160	SP-PC-304016		四颗螺丝 Four screws
270*460*160	SP-PC-274616		六颗螺丝 Six screws
300*520*160	SP-PC-305216		六颗螺丝 Six screws
360*540*160	SP-PC-365416		六颗螺丝 Six screws
500*680*200	SP-PC-506820		六颗螺丝 Six screws
600*800*200	SP-PC-608020		六颗螺丝 Six screws

配件 ACCESSORIES



镀锌底板
 Galvanized base plate



挂角
 Corner bracket



技术参数 TECHNICAL DATA

- 材料:**
 盒体: ABS,(PC, 增强尼龙可定制)
 灰色盖: ABS,(PC, 增强尼龙可定制)
 透明盖: PC (需定制)
 防水圈: 硅胶条
 盖子螺丝: 增强尼龙
 底板安装螺母: 黄铜
- 颜色:**
 RAL7035(其他颜色可以定制)
- Material:**
 Enclosure: ABS (Options: PC)
 Cover grey: ABS (Options: PC)
 Cover transparent: PC(customizable)
 Waterproof Ring: Silicone strip
 Cover screws: CFRPA
 Mounting plate nuts: Copper
- Color:**
 RAL7035(Options: Other Color)
- IP 防护等级:** IP66(按照IEC 60529标准)
- NEMA 防护等级:** NEMA 4X
- 抗冲击等级:** IK08
- 认证:** CE, RoHS
- 应用场景:** 机场、地铁站、按钮盒、小型终端机、信号机箱、继电器、传感器、通信接线盒等设备。
- Protection category IP to IEC 60529:** IP66
- Protection category NEMA:** NEMA 4X
- Against mechanical impacts:** IK08
- Approvals:** CE, RoHS
- Applications:** Airport, subway station, and it can be a pushbutton box, terminal box, signal box, relays box, sensor box and communication junction box, etc.
- 使用环境温度:** -40°C~+100°C (短时间)
 -40°C~+80°C (连续)
- Ambient temperature range:**
 -40°C~+100°C (short time)
 -40°C~+80°C (continuous)
- 标准产品包含:**
 底盒, 盖子, 盖子螺丝
- Standard products include:**
 Box bottom, Box cover, Hinges & Hasp
- 可选配件:**
 金属墙壁安装挂件
 蜂窝底板
- Optional accessories:**
 Steel wall mounting bracket
 Honeycomb plastic mounting plate

产品展示 PRODUCT DETAIL



塑料螺丝防脱落设计, 不生锈变形
 The plastic screws have an anti-drop design and do not rust or deform



安装柱镶嵌铜螺母, 安装零部件牢固可靠
 The mounting posts with embedded copper nuts ensure firm and reliable component installation



密封圈具有高弹性、高腐蚀性, 防水防尘性能好, 寿命长久
 The sealing ring is highly elastic, corrosion-resistant, waterproof, dustproof, and long-lasting

型号和尺寸 MODEL & SIZE

尺寸 Size	灰盖 Gray Cover	备注
长*宽*高 (mm) L*W*H(mm)	型号 Model	Remark
130*93*57	SP-02-139357	带预留孔 With knockouts
96*96*60	SP-02-969660	
120*120*60	SP-02-121260	
145*145*60	SP-02-141460	
145*145*90	SP-02-141490	
160*160*60	SP-02-161660	
160*160*90	SP-02-161690	
180*130*60	SP-02-181360	
180*130*90	SP-02-181390	
84*82*56	SP-02-848256	
95*65*75	SP-02-956575	自带底板 Built-in base plate
170*140*110	SP-02-171411	
180*80*85	SP-02-188085	
200*150*115	SP-02-201511	
200*200*145	SP-02-202014	
248*148*115	SP-02-241411	



技术参数 TECHNICAL DATA

- **材料:**
盒体: ABS, (PC可定制)
灰色盖: ABS, (PC可定制)
透明盖: 聚碳酸酯 (PC)
防水圈: 硅胶条
盖子螺丝: 铁镀镍
- **IP 防护等级:** IP65(按照IEC 60529标准)
- **NEMA 防护等级:** NEMA 4
- **抗冲击等级:** IK06
- **认证:** CE
- **应用场合:** 机场、地铁站、按钮盒、小型终端机、信号机箱、继电器、传感器、通信接线盒等设备。
- **Material:**
Enclosure: ABS (Options: PC)
Cover grey: ABS (Options: PC)
Cover transparent: Polycarbonate
Waterproof Ring: Silicone strip
Cover screws: Nickel-plated iron
- **Protection category IP to IEC 60529:** IP65
- **Protection category NEMA:** NEMA 4
- **Against mechanical impacts:** IK06
- **Approvals:** CE
- **Applications:** Airport, subway station, and it can be a pushbutton box, terminal box, signal box, relays box, sensor box and communication junction box, etc.
- **使用环境温度:** -40°C~+80°C (短时间)
-40°C~+60°C (连续)
- **标准产品包含:**
底盒, 盖子, 盖子螺丝
- **可选配件:**
金属墙壁安装挂件
金属安装底板
环氧树脂底板
不锈钢盖子螺丝
- **Ambient temperature range:**
-40°C~+80°C (short time)
-40°C~+60°C (continuous)
- **Standard products include:**
Box bottom, Box cover, Cover iron screws
- **Optional accessories:**
Steel wall mounting bracket
Steel mounting plate
Epoxy resin mounting plate
Stainless steel cover screw

型号和尺寸 MODEL & SIZE

尺寸 Size	灰盖 Gray Cover	透明盖 Clear Cover	备注
长*宽*高 (mm) L*W*H(mm)	型号 Model	型号 Model	Remark
63*58*35	SP-F20	SP-F20-T	
83*58*33	SP-F19-1	SP-F19-1T	
83*81*56	SP-F25	SP-F25-T	
100*68*50	SP-F4	SP-F4-T	
115*90*55	SP-F3	SP-F3-T	
120*120*90	SP-F14	SP-F14-T	
150*70*47	SP-F17	SP-F17-T	
158*90*40	SP-F2L	SP-F2L-T	低盖, 带铜螺母 Lower size cover, with mounting nuts
158*90*60	SP-F2	SP-F2-T	
160*45*55	SP-F16		
160*110*90	SP-F22	SP-F22-T	
160*160*90	SP-F5	SP-F5-T	
192*188*100	SP-F24	SP-F24-T	
200*120*75	SP-F1	SP-F1-T	
200*120*56	SP-F1L	SP-F1-3T	低盖 Lower size cover
200*120*113	SP-F1H	SP-F1-1T	高盖 Higher size cover
230*150*85	SP-F15	SP-F15-T	
230*150*87	SP-F15F		平盖. 六颗螺丝 Flat size cover, six screws
240*160*90	SP-F21	SP-F21-T	六颗螺丝 Six screws
240*160*120	SP-F21H	SP-F21-1T	高盖. 六颗螺丝 Higher size cover, six screws
263*182*95	SP-F6	SP-F6-T	六颗螺丝 Six screws
263*182*60	SP-F6L	SP-F6-TL	低盖. 六颗螺丝 Lower size cover, six screws
263*182*125	SP-F6H	SP-F6-1T	高盖. 六颗螺丝 Higher size cover, six screws
280*200*135	SP-F9		
280*200*86	SP-F9L		低盖 Lower size cover
290*210*60	SP-F34	SP-F34T	六颗螺丝 Six screws
290*210*100	SP-F36	SP-F36T	六颗螺丝 Six screws
300*280*140	SP-F50	SP-F50T	六颗螺丝 Six screws

型号和尺寸 MODEL & SIZE

尺寸 Size	灰盖 Gray Cover	透明盖 Clear Cover	备注
长*宽*高 (mm) L*W*H(mm)	型号 Model	型号 Model	Remark
320*240*60	SP-F10L	SP-F10-TL	低盖. 六颗螺丝 Lower, six screws
320*240*110	SP-F10	SP-F10-T	六颗螺丝 Six screws
320*240*140	SP-F10H	SP-F10-1T	高盖. 六颗螺丝 Higher size cover, six screws
320*240*155	SP-F10EH		特高盖. 六颗螺丝 Extra high size cover, six screws
380*260*70	SP-F11-3	SP-F11-3T	低盖. 六颗螺丝 Lower size cover, six screws
380*260*85	SP-F11-4	SP-F11-4T	低盖. 六颗螺丝 Lower size cover, six screws
380*260*105	SP-F11	SP-F11-T	六颗螺丝 Six screws
380*260*120	SP-F11H	SP-F11-TH	中盖. 六颗螺丝 Middle size cover, six screws
380*260*140	SP-F11EH	SP-F11-THE	高盖. 六颗螺丝 Higher size cover, six screws
63*58*35	SP-F20-2R	SP-F20-2TR	带固定耳 With Flange
83*58*33	SP-F19R	SP-F19-TR	带固定耳 With Flange
100*68*40	SP-F4-1R	SP-F4-1TR	带固定耳 With Flange
100*68*50	SP-F4-2R	SP-F4-2TR	带固定耳 With Flange
115*85*35	SP-F8R	SP-F8-TR	带固定耳 With Flange
115*90*55	SP-F3-2R	SP-F3-2TR	带固定耳 With Flange
115*90*70	SP-F3-3R	SP-F3-3TR	带固定耳 With Flange
120*81*65	SP-F13R	SP-F13-TR	带固定耳 With Flange
158*90*46	SP-F7R	SP-F7-TR	带固定耳 With Flange
158*90*60	SP-F7-1R		带固定耳 With Flange
158*90*64	SP-F2-2R	SP-F2-2-TR	带固定耳 With Flange
160*110*90	SP-F22-2R	SP-F22-2TR	带固定耳 With Flange
160*160*90	SP-F5-2R	SP-F5-2TR	带固定耳 With Flange
192*188*70	SP-F24-2R	SP-F24-2TR	带固定耳 With Flange
200*120*75	SP-F1-2R	SP-F1-2-TR	带固定耳 With Flange
200*120*67	SP-F1-6R		带固定耳 With Flange
230*150*87	SP-F15-2R	SP-F15-2TR	带固定耳 With Flange



技术参数 TECHNICAL DATA

• 材料:

盒体和盖子: ABS
防水圈: 橡胶条
盖子螺丝: 铁镀锌
端子接触件: 黄铜

• Material:

Enclosure & Cover: ABS
Waterproof Ring: Rubber strip
Cover screws: Nickel-plated iron
Terminal contact: Copper

• 颜色: 灰色

• IP 防护等级: IP66

• NEMA 防护等级: NEMA 4X

• 抗冲击等级: IK08

• Color: Gray

• Protection category IP: IP66

• Protection category NEMA: NEMA 4X

• Against mechanical impacts: IK08

• 使用环境温度: -40°C~+100°C (短时间)
-40°C~+80°C (连续)

• 应用场景: 适用于室内、室外电气、通信、消防设备、钢铁冶炼、石油化工、铁路、建筑工地等

• Ambient temperature range:

-40°C~+100°C (short time)
-40°C~+80°C (continuous)

• Applications: Suitable for indoor and outdoor electrical, communications, fire-fighting equipment, steel smelting, petrochemical industry, railways, construction sites, etc.

型号和尺寸 MODEL & SIZE

不带敲落孔 Without knockouts			带敲落孔 With knockouts		
型号 Model	长*宽*高 (mm) L*W*H(mm)	备注 Remark	型号 Model	长*宽*高 (mm) L*W*H(mm)	备注 Remark
SP-D9025	88*88*53mm		SK9100Z	167*125*82mm	
SP-D9045	98*98*61mm	带5位可活动调节端子 With 5 way Terminal (Angle adjustable)	SK9105Z	167*125*82mm	内配端子 With Terminal
SP-D9065	139*119*70mm		SK9250Z	200*160*98mm	
SP-D9020	88*88*53mm		SK9255Z	200*160*98mm	内配端子 With Terminal
SP-D9040	98*98*61mm				
SP-D9060	139*119*70mm				
DS-PG-4P	70*50*40mm	自带4位端子, 带固定耳 Built-in 4-way terminal, with flange			
DS-PG-6P	83*54*40mm	自带6位端子, 带固定耳 Built-in 6-way terminal, with flange			
DS-PG-10P	110*75*40mm	自带10位端子, 带固定耳 Built-in 10-way terminal, with flange			



技术参数 TECHNICAL DATA

- **材料:**
盒体和盖子: 玻璃纤维
防水圈: 橡胶条
盖子螺丝: 201# 不锈钢
底板安装螺母: 黄铜
- **IP 防护等级:** IP66(按照IEC 60529标准)
- **NEMA 防护等级:** NEMA 4X
- **抗冲击等级:** IK10
- **认证:** CE
- **应用场合:** 机场、地铁站、按钮盒、小型终端机、信号机箱、继电器、传感器、通信接线盒等设备。
- **Protection category IP to IEC 60529:** IP66
- **Protection category NEMA:** NEMA 4X
- **Against mechanical impacts:** IK10
- **Approvals:** CE
- **Applications:** Airport, subway station, and it can be a pushbutton box, terminal box, signal box, relays box, sensor box and communication junction box, etc.
- **使用环境温度:** -40°C~+120°C (短时间)
-40°C~+100°C (连续)
- **标准产品包含:**
底盒, 盖子, 盖子螺丝
- **可选配件:**
金属安装底板
- **Ambient temperature range:**
-40°C~+120°C (short time)
-40°C~+100°C (continuous)
- **Standard products include:**
Box bottom, Box cover, Cover iron screws
- **Optional accessories:**
Steel mounting plate

产品展示 PRODUCT DETAIL



安装柱镶嵌铜螺母, 牢固可靠
Mounting posts with embedded copper nuts are firm and reliable



底部内嵌铜螺母, 便于安装底板和导轨
Bottom with embedded brass nuts for easy installation of base plates and guide rails.



密封圈具有高弹性、高腐蚀性, 防水防尘性能好, 寿命长久
The sealing ring is highly elastic, corrosion-resistant, waterproof, dustproof, and long-lasting

型号和尺寸 MODEL & SIZE

尺寸 Size 长*宽*高(mm) L*W*H(mm)	型号 Model	备注 Remark	尺寸 Size 长*宽*高(mm) L*W*H(mm)	型号 Model	备注 Remark
107X85X74	SW-MC-108574		360X220X120	SW-MC-362212	四颗M8*30螺丝 4pcs M8*30 screws
139X85X74	SW-MC-148574		360X220X170	SW-MC-362217	
185X85X74	SW-MC-188574	四颗M5*25螺丝 4pcs M5*25 screws	360X220X220	SW-MC-362222	四颗M8*80螺丝 4pcs M8*80 screws
233X85X74	SW-MC-238574		360X360X120	SW-MC-363612	四颗M8*30螺丝 4pcs M8*30 screws
130X130X86	SW-MC-131386		360X360X170	SW-MC-363617	
140X110X100	SW-MC-141110		360X360X220	SW-MC-363622	四颗M8*80螺丝 4pcs M8*80 screws
150X150X120	SW-MC-151512		420X300X160	SW-MC-423016	
220X130X120	SW-MC-221312		420X300X190	SW-MC-423019	四颗M8*30螺丝 4pcs M8*30 screws
225X150X120	SW-MC-221512		450X330X160	SW-MC-453316	
225X150X160	SW-MC-221516	四颗M6*30螺丝 4pcs M6*30 screws	450X330X240	SW-MC-453324	四颗M8*80螺丝 4pcs M8*80 screws
260X180X120	SW-MC-261812		520X400X220	SW-MC-524022	
300X220X120	SW-MC-302212		720X420X160	SW-MC-724216	六颗M8*30螺丝 6pcs M8*30 screws
330X225X120	SW-MC-332212		720X420X240	SW-MC-724224	六颗M8*80螺丝 6pcs M8*80 screws



技术参数 TECHNICAL DATA

- **材料:**
盒体和盖子: ABS, (PC可定制)
防水圈: 橡胶条
盖子螺丝: 铁镀锌
- **IP 防护等级:** IP65(安装IP65以上的按钮之后)
- **NEMA 防护等级:**
NEMA 4(安装IP65以上的按钮之后)
- **认证:** CE, RoHS
- **应用场景:** 按钮盒、控制箱等设备
- **使用环境温度:** -40°C~+100°C (短时间)
-40°C~+80°C (连续)
- **标准产品包含:**
底盒, 盖子, 盖子螺丝
- **Applications:**
Pushbutton box, control box, etc.
- **Ambient temperature range:**
-40°C~+100°C (short time)
-40°C~+80°C (continuous)
- **Standard products include:**
Box bottom, Box cover, Cover iron screws
- **抗冲击等级:** IK08
- **Material:**
Enclosure & Cover: ABS (Options: PC)
Waterproof Ring: Rubber strip
Cover screws: Nickel-plated iron
- **Protection category IP:**
IP65 (After installing buttons with an IP65 rating or higher)
- **Protection category NEMA:**
NEMA 4 (After installing buttons with an IP65 rating or higher)
- **Approvals:** CE, RoHS
- **Against mechanical impacts:** IK08

型号和尺寸 MODEL & SIZE

型号 Model	尺寸 Size 长*宽*高 (mm) L*W*H (mm)	开孔数量 No. of holes	孔尺寸 Hole size	颜色 Color
PBX01	68*68*50	1	Φ22mm	底座: 黑色 盖子: 白色或者黄色 Bottom: Black Cover: White or Yellow
PBX02	105*68*50	2	Φ22mm	
PBX03	135*65*50	3	Φ22mm	
PBX04	165*68*50	4	Φ22mm	
SBX01	68*68*54	1	Φ22mm	底座: 白色 盖子: 深灰色或者黄色 Bottom: White Cover: Dark gray or Yellow
SBX02	106*68*54	2	Φ22mm	
SBX03	137*68*54	3	Φ22mm	
SBX04	168*68*54	4	Φ22mm	
SBX05	198*68*54	5	Φ22mm	

ALUMINIUM WATERPROOF BOX 铸铝防水盒



SAIPWELL ELEC.

Copyright © SaipWell ELEC. All Right Reserved Deliver happiness to everyone



技术参数 TECHNICAL DATA

- 材料:**
 - 盒体和盖子: 铝合金(AlSi12)
 - 防水圈: 硅胶条
 - 盖子螺丝: 201不锈钢
 - 安装挂件: 铁镀锌
- 颜色:**
 - RAL7001 (其他颜色可以定制)
- Material:**
 - Enclosure & Cover: Aluminum alloy (AlSi12)
 - Waterproof Ring: Silicone strip
 - Cover screws: 201# Stainless Steel
 - Mounting bracket: Galvanized iron
- Color:**
 - RAL7001 (Options: Other Color)
- IP 防护等级:** IP66(按照IEC 60529标准)
- NEMA 防护等级:** NEMA 4X
- 抗冲击等级:** IK10
- 认证:** CE, RoHS
- 应用场合:** 适用于端子箱、配电板、仪器仪表盒、信号箱、采矿场、沿海工厂、污水处理厂等设施等环境。
- Protection category IP to IEC 60529:** IP66
- Protection category NEMA:** NEMA 4X
- Against mechanical impacts:** IK10
- Approvals:** CE, RoHS
- Applications:** Terminal box, Distribution Box, Instrument Box, Signal Junction Box, Stope, Coastal factories, Sewage Treatment Works and other environments.
- 使用环境温度:** -40°C~+120°C (短时间)
-40°C~+100°C (连续)
- Ambient temperature range:** -40°C~+120°C (short time)
-40°C~+100°C (continuous)
- 标准产品包含:** 底盒, 盖子, 盖子螺丝
- Standard products include:** Box bottom, Box cover, Cover iron screws
- 可选配件:** 橡胶防水条, 金属安装底板
- Optional accessories:** Rubber waterproof strip, Steel mounting plate

产品展示 PRODUCT DETAIL



螺丝固定, 不易变形, 不易丢失
Screws are fixed, resistant to deformation, and not easily lost.



安装孔自带螺纹, 方便安装各种器材
The mounting holes come with threads, making it easy to install various equipment.



硅胶密封条, 粗细合适, 弹性好, 密封性强
The silicone gasket is properly sized, elastic, and highly sealing.

型号和尺寸 MODEL & SIZE

尺寸 Size 长*宽*高(mm) L*W*H(mm)	型号 Model	备注 Remark
64*58*35	SP-AG-FA1	四颗螺丝, 带二个铁挂角 4pcs screws, with 2pcs mounting bracket
80*76*57	SP-AG-FA18	四颗螺丝, 带二个铁挂角 4pcs screws, with 2pcs mounting bracket
80*76*57	SP-AG-FA18-1	四角螺丝, 盖子中间有个方框, 带二个挂角 4pcs screws, a square in the middle of the lid, with 2pcs mounting bracket
90*36*31	SP-AG-FA9	四颗螺丝 4pcs screws
98*64*37	SP-AG-F7-1	四颗螺丝 4pcs screws
100*68*50	SP-AG-FA4	翻盖, 四颗螺丝, 盖子中间有个方框 with hinges, 4pcs screws, a square in the middle of the lid
100*100*60	SP-AG-FA43	四颗螺丝, 带二个挂角, 盖子二边有点小斜坡 4pcs screws, with 2pcs mounting bracket, lid is not flat
100*100*80	SP-AG-43-1	四颗螺丝 4pcs screws
111*64*37	SP-AG-FA7	四颗螺丝, 带二个铁挂角 4pcs screws, with 2pcs mounting bracket
115*65*55	SP-AG-FA24	四颗螺丝 4pcs screws
115*90*55	SP-AG-FA34	四颗螺丝, 盖子中间有个方框, 带二个挂角 4pcs screws, a square in the middle of the lid, with 2pcs mounting bracket
115*90*55	SP-AG-FA34-1	翻盖, 四颗螺丝, 盖子中间有个方框, 带二个挂角 with hinges, 4pcs screws, a square in the middle of the lid. With 2pcs mounting bracket
120*80*55	SP-AG-FA2	六颗螺丝, 带二个挂角 6pcs screws, with 2pcs mounting bracket
120*80*55	SP-AG-FA2-1	四颗螺丝, 带二个挂角 4pcs screws, with 2pcs mounting bracket
120*120*82	SP-AG-FA60	四颗螺丝 4pcs screws
120*120*85	SP-AG-FA60-1	四颗螺丝 4pcs screws
135*85*56	SP-AG-FA2-2	四颗螺丝, 带二个挂角 4pcs screws, with 2pcs mounting bracket
125*80*60	SP-AG-FA2-3	四颗螺丝 4pcs screws
125*80*60	SP-AG-FA2-4	四颗螺丝, 内部结构和SP-AG-FA2-3 不同 4pcs screws, inside is different with SP-AG-FA2-3
130*130*85	SP-AG-FA60-2	四颗螺丝 4pcs screw
140*140*75	SP-AG-FA44	四颗螺丝, 带二个挂角 4pcs screws, with 2pcs mounting bracket
140*140*100	SP-AG-FA44-1	四颗螺丝 4pcs screws
145*100*45	SP-AG-FA58	四颗内六角螺丝 4pcs hexagon socket screws
150*64*37	SP-AG-FA7-2	四颗螺丝 4pcs screws
150*100*65	SP-AG-FA29-1	四颗螺丝 4pcs screws
150*100*80	SP-AG-FA29	四颗螺丝 4pcs screws
160*53*50	SP-AG-FA7-3	四颗螺丝 4pcs screws
160*100*60	SP-AG-FA25	四颗螺丝 4pcs screws
160*100*65	SP-AG-FA26	四颗螺丝, 盖子二边有点小斜坡 4pcs screws, lid is not flat
160*160*70	SP-AG-FA61	四颗螺丝 4pcs screws

型号和尺寸 MODEL & SIZE

尺寸 Size 长*宽*高(mm) L*W*H(mm)	型号 Model	备注 Remark
160*160*86	SP-AG-FA62-1	翻盖, 四颗螺丝, 盖子中间有个方框 with hinges, 4pcs screws, a square in the middle of the lid
160*160*90	SP-AG-FA62	四角螺丝 4pcs screws
165*95*39	SP-AG-FA25-1	四颗螺丝 4pcs screws
175*80*56	SP-AG-FA20	四颗螺丝 4pcs screws
175*80*80	SP-AG-FA20-1	四颗螺丝 4pcs screws
180*120*50	SP-AG-FA8-3	翻盖四颗螺 with hinges, 4pcs screws
180*140*55	SP-AG-FA8	翻盖四颗螺, 自带二个挂角 with hinges, 4pcs screws, box with 2 mounting flange
180*140*55	SP-AG-FA8-1	翻盖四颗螺, 有窗, 自带二个挂角 with hinges, 4pcs screws, with window, box with 2 mounting flange
185*135*85	SP-AG-FA13	翻盖, 四颗内六角螺丝, 盖子中间有个方框 with hinges, 4pcs hexagon socket screws, a square in the middle of the lid
188*120*78	SP-AG-FA3	六颗螺丝, 带二个挂角 6pcs screws, with 2pcs mounting bracket
188*120*78	SP-AG-FA3-1	四颗螺丝, 带二个挂角 4pcs screws, with 2pcs mounting bracket
200*100*60	SP-AG-FA27	四颗螺丝 4pcs screws
200*100*85	SP-AG-FA27-1	四颗螺丝 4pcs screws
200*120*78	SP-AG-F35	四颗螺丝 4pcs screws
200*130*75	SP-AG-FA12	四颗螺丝, 盖子中间有个方 4pcs screws, a square in the middle of the lid
200*130*85	SP-AG-FA12-1	四颗螺丝 4pcs screws
208*170*80	SP-AG-FA8-2	翻盖四颗螺 with hinges, 4pcs screws,
220*120*80	SP-AG-FA35-1	四颗螺丝 4pcs screws
222*125*75	SP-AG-FA11-1	翻盖带锁 with hinges and lock
220*155*95	SP-AG-FA14	翻盖, 四颗螺丝, 盖子中间有个方框 with hinges, 4pcs screws, a square in the middle of the lid
222*145*60	SP-AG-FA5	六颗螺丝, 带二个挂角 6pcs screws, with 2pcs mounting bracket
222*145*60	SP-AG-FA5-1	四颗螺丝 4pcs screws
222*145*75	SP-AG-FA6	六颗螺丝, 带二个挂角 6pcs screws, with 2pcs mounting bracket
222*145*80	SP-AG-FA6-1	四颗螺丝 4pcs screws
230*150*70	SP-AG-FA17-1	四颗螺丝 4pcs screws
230*150*75	SP-AG-FA10	四颗螺丝, 盖子中间有个方框 4pcs screws, a square in the middle of the lid
230*150*75	SP-AG-FA10-1	四颗螺丝, 带窗, 盖子中间有个方框 4pcs screws, with window, a square in the middle of the lid
230*150*85	SP-AG-FA10-2	四颗螺丝, 盖子边上有方框 4pcs screws, a square in the middle of the lid
230*200*110	SP-AG-FA74	四颗螺丝 4pcs screws
230*200*110	SP-AG-FA74-1	翻盖 四颗螺丝 with hinges 4pcs screws

型号和尺寸 MODEL & SIZE

尺寸 Size 长*宽*高(mm) L*W*H(mm)	型号 Model	备注 Remark
240*160*75	SP-AG-FA63	四颗螺丝 4pcs screws
240*160*75	SP-AG-FA63-1	翻盖四颗螺 with hinges, 4pcs screws,
240*160*100	SP-AG-FA64	四颗螺丝 4pcs screws
240*160*100	SP-AG-FA64-1	翻盖四颗螺 with hinges 4pcs screws
240*80*52	SP-AG-FA21-1	四颗螺丝 4pcs screws
250*80*64	SP-AG-FA21	四颗螺丝 4pcs screws
250*80*80	SP-AG-FA22	四颗螺丝 4pcs screws
250*120*82	SP-AG-FA36	四颗螺丝 4pcs screws
250*190*70	SP-AG-FA17	四颗螺丝 4pcs screws
250*190*90	SP-AG-FA15	翻盖四颗螺, 带二个长挂脚 with hinges, 4pcs screws, with 2pcs long size mounting bracket
250*190*90	SP-AG-FA15-1	翻盖四颗螺, 有窗 带二个长挂脚 with hinges, 4pcs screws, with window, with 2pcs long size mounting bracket
250*190*90	SP-AG-FA15-3	翻盖四颗螺, 带挂件 with hinges, 4pcs screws, built-in mounting bracket
250*190*90	SP-AG-FA15-4	翻盖四颗螺, 带挂件, 盖子中间有个方框 with hinges, 4pcs screws, built-in mounting bracket, a square in the middle of the lid
250*190*90	SP-AG-FA15-5	翻盖四颗螺, 带挂件, 盖子中间有个方框, 带窗 with hinges, 4pcs screws, built-in mounting bracket, a square in the middle of the lid, with window
260*160*90	SP-AG-FA64-2	四颗螺丝 4pcs screws
265*185*75	SP-AG-FA65	四颗螺丝 4pcs screws
265*185*75	SP-AG-FA65-1	翻盖四颗螺 with hinges, 4pcs screws
265*185*95	SP-AG-FA66	四颗螺丝 4pcs screws
265*185*95	SP-AG-FA66-1	翻盖四颗螺 with hinges, 4pcs screws
265*185*130	SP-AG-FA67	四颗螺丝 4pcs screws
265*185*130	SP-AG-FA67-1	翻盖四颗螺 with hinges, 4pcs screws
280*185*80	SP-AG-FA16	翻盖, 四角螺丝, 盖子带散热条纹 with hinges, 4pcs screws, cover with corrugated heat dissipation
280*185*80	SP-AG-FA16-1	翻盖, 四角螺丝, 盖子带散热条纹, 带窗 with hinges, 4pcs screws, cover with corrugated heat dissipation, with window
280*230*110	SP-AG-FA75	四角螺丝 4pcs screws
280*230*110	SP-AG-FA75-1	翻盖, 四颗螺丝 with hinges, 4pcs screws
300*210*100	SP-AG-FA68	四角螺丝 4pcs screws
300*210*100	SP-AG-FA68-1	翻盖, 四颗螺丝 with hinges, 4pcs screws
300*210*130	SP-AG-FA69	四角螺丝 4pcs screws
300*210*130	SP-AG-FA69-1	翻盖, 四颗螺丝 with hinges, 4pcs screws
320*120*90	SP-AG-FA38	四颗螺丝 4pcs screws

型号和尺寸 MODEL & SIZE

尺寸 Size 长*宽*高(mm) L*W*H(mm)	型号 Model	备注 Remark
320*200*95	SP-AG-FA16-2	翻盖, 四角螺丝, 盖子带散热条纹 with hinges, 4pcs screws, cover with corrugated heat dissipation
340*235*95	SP-AG-FA70	四颗螺丝 4pcs screws
340*235*95	SP-AG-FA70-1	翻盖, 四颗螺丝 with hinges, 4pcs screws
340*235*115	SP-AG-FA71-2	翻盖, 四颗螺丝, 自带四个挂角 with hinges, 4pcs screws, box with 4 mounting flange
340*235*120	SP-AG-FA71	四角螺丝 4pcs screws
340*235*120	SP-AG-FA71-1	翻盖, 四颗螺丝 with hinges, 4pcs screws
340*235*135	SP-AG-FA72	四角螺丝 4pcs screws
340*235*135	SP-AG-FA72-1	翻盖, 四颗螺丝 with hinges, 4pcs screws
340*235*155	SP-AG-FA73-2	翻盖, 四颗螺丝, 自带四个挂角 with hinges, 4pcs screws, box with 4 mounting flange
340*235*160	SP-AG-FA73	四角螺丝 4pcs screws
340*235*160	SP-AG-FA73-1	翻盖, 四颗螺丝 with hinges, 4pcs screws
360*160*95	SP-AG-FA40	四颗螺丝 4pcs screws
360*160*135	SP-AG-FA41	四颗螺丝 4pcs screws
360*290*105	SP-AG-FA80	翻盖, 四颗螺丝 with hinges 4pcs screws
400*260*110	SP-AG-FA76	四颗螺丝 4pcs screws
400*260*110	SP-AG-FA76-1	翻盖, 四颗螺丝 with hinges, 4pcs screws
400*260*140	SP-AG-FA77	四颗螺丝 4pcs screws
400*260*140	SP-AG-FA77-1	翻盖, 四颗螺丝 with hinges, 4pcs screws
400*260*180	SP-AG-FA76-2	四颗螺丝 4pcs screws
400*260*180	SP-AG-FA76-3	翻盖, 四颗螺丝 with hinges, 4pcs screws
400*310*110	SP-AG-FA78	四颗螺丝 4pcs screws
400*310*110	SP-AG-FA78-1	翻盖, 四颗螺丝 with hinges, 4pcs screws
400*310*140	SP-AG-FA79	四颗螺丝 4pcs screws
400*310*140	SP-AG-FA79-1	翻盖, 四颗螺丝 with hinges, 4pcs screws
400*310*160	SP-AG-FA78-2	四颗螺丝 4pcs screws
400*310*160	SP-AG-FA78-3	翻盖, 四颗螺丝 with hinges, 4pcs screws
400*310*190	SP-AG-FA79-2	四颗螺丝 4pcs screws
400*310*190	SP-AG-FA79-3	翻盖, 四颗螺丝 with hinges, 4pcs screws
600*230*130	SP-AL-6023	六颗螺丝 6pcs screws
600*310*110	SP-AL-6031	六颗螺丝 6pcs screws



技术参数 TECHNICAL DATA

- **材料:**
盒体和盖子: 铝合金(AlSi12)
防水圈: 硅胶条
盖子螺丝: 201不锈钢
安装挂件: 铁镀锌
- **颜色:** RAL9006
- **Material:**
Enclosure & Cover: Aluminum alloy (AlSi12)
Waterproof Ring: Silicone strip
Cover screws: 201# Stainless Steel
Mounting bracket: Galvanized iron
- **Color:** RAL9006
- **IP 防护等级:** IP66(按照IEC 60529标准)
- **NEMA 防护等级:** NEMA 4X
- **抗冲击等级:** IK10
- **应用场景:** 这款带有固定耳的电气接线盒和电气设备盒常用于工业领域、机床、汽车和隧道
- **Protection category IP to IEC 60529:** IP66
- **Protection category NEMA:** NEMA 4X
- **Against mechanical impacts:** IK10
- **Applications:** Commonly used in the industry field, machine tools, automotive and tunnels.
- **使用环境温度:** -40°C~+125°C (短时间)
-40°C~+100°C (连续)
- **标准产品包含:**
底盒, 盖子, 盖子螺丝
- **可选配件:**
金属安装底板
- **Ambient temperature range:**
-40°C~+125°C (short time)
-40°C~+100°C (continuous)
- **Standard products include:**
Box bottom, Box cover, Cover iron screws
- **Optional accessories:**
Steel mounting plate

型号和尺寸 MODEL & SIZE

型号 Model	尺寸 Size 长*宽*高 (mm) L*W*H (mm)	安装孔尺寸(mm) Install Dim (mm)	备注 Remark
SP-GM-1	91*91*54	88*80	二个固定角 two fix flange
SP-GM-2	128*103*57	121*102	四个固定角 four fix flange
SP-GM-3	155*130*58	144*125	四个固定角 four fix flange
SP-GM-4	178*156*75	168*149	四个固定角 four fix flange
SP-GM-5	239*202*85	226*196	四个固定角 four fix flange
SP-GM-6	294*244*114	275*236	四个固定角 four fix flange
SP-GM-7	392*298*149	367*283	四个固定角 four fix flange

SP-AD ALUMINUM SHELL 铝型材壳体



技术参数 TECHNICAL DATA

- **材料:** 盒体和侧板: 铝合金(Al6063) 盖子螺丝: 201不锈钢
- **表面处理:** 阳极氧化处理或喷涂处理
- **颜色:** 银色, 黑色, 金色(其他颜色可以定制)
- **Material:** Enclosure & Cover: Aluminum alloy (Al6063) Cover screws: 201# Stainless Steel
- **Surface Treatment:** Anodic oxidation or Spraying
- **Color:** Silver, black, gold (Options: Other Color)
- **IP防护等级:** IP33(按照IEC 60529标准)
- **NEMA 防护等级:** NEMA 1
- **抗冲击等级:** IK08
- **认证:** CE, RoHS
- **应用场景:** 通信、医学、光电、安防、电子、仪器仪表等行业
- **Protection category IP to IEC 60529:** IP33
- **Protection category NEMA:** NEMA 1
- **Against mechanical impacts:** IK08
- **Approvals:** CE, RoHS
- **Applications:** communications, medical, photoelectric, security, electronics, instrumentation and other industries
- **使用环境温度:** -40°C~+100°C (短时间) -40°C~+80°C (连续)
- **标准产品包含:** 盒体, 侧板, 侧板安装螺丝
- **Ambient temperature range:** -40°C~+100°C (short time) -40°C~+80°C (continuous)
- **Standard products include:** Box bottom, side plate, side plate screws

型号和尺寸 MODEL & SIZE

尺寸 Size	型号 Model	尺寸 Size	型号 Model	尺寸 Size	型号 Model
宽*高*长 (mm) W*H*L(mm)	型号 Model	宽*高*长 (mm) W*H*L(mm)	型号 Model	宽*高*长 (mm) W*H*L(mm)	型号 Model
36*147*155	SP-AD-1	35*76*100	SP-AD-23	26*54*100	SP-AD-16
61*147*155	SP-AD-2	46*76*100	SP-AD-24	21*104*100	SP-AD-17
46*190*155	SP-AD-3	20*61*100	SP-AD-36	35*73*100	SP-AD-18
71*190*155	SP-AD-4	57*75*100	SP-AD-10	60*82*110	SP-AD-19
75*150*160	SP-AD-5	40*97*100	SP-AD-11	34*58*100	SP-AD-21
48*148*130	SP-AD-6	27*76*100	SP-AD-12	44*65*100	SP-AD-22
40*89*100	SP-AD-7	46*76*100	SP-AD-13	38*147*155	SP-AD-29
32*70*100	SP-AD-8	29*89*100	SP-AD-14		
35*65*100	SP-AD-9	36*86*100	SP-AD-15		

WATERPROOF BOX 防水箱



SAIPWELL ELEC.

Copyright © SaipWell ELEC. All Right Reserved Deliver happiness to everyone



技术参数 TECHNICAL DATA

- **材料:**
箱体和盖子: 聚碳酸酯 (PC)
防水圈: PU发泡
塑料安装挂件: 聚碳酸酯 (PC)
- **颜色:** 灰色
- **IP 防护等级:** IP66(按照IEC 60529标准)
- **Material:**
Enclosure & Cover: Polycarbonate
Waterproof Ring: PU
Plastic wall mounting bracket: PC
- **Color:** Gray
- **Protection category IP to IEC 60529:** IP66
- **NEMA 防护等级:** NEMA 4X
- **抗冲击等级:** IK08
- **阻燃等级:** V2(按照UL94-2013 标准)
- **认证:** CE, RoHS
- **使用环境温度:** -40°C~+132°C (短时间)
-40°C~+130°C (连续)
- **Protection category NEMA:** NEMA 4X
- **Against mechanical impacts:** IK08
- **Flame retardant rating:** V2(UL94-2013 standard)
- **Approvals:** CE, RoHS
- **Ambient temperature range:**
-40°C~+132°C (short time)
-40°C~+130°C (continuous)

- **标准产品包含:**
箱体, 盖子, 塑料墙壁安装挂件
- **可选配件:**
不锈钢墙壁安装挂件
塑料底板
镀锌底板
镀锌中门
- **应用场景:** 端子箱、配电板、仪器仪表盒、信号箱, 插座箱, 电源箱等设备
- **Standard products include:**
Box bottom, Box cover, Cover screws, Plastic wall mounting bracket
- **Optional accessories:**
Stainless steel wall mounting bracket
Plastic mounting plate
Galvanized mounting plate
Galvanized inner door
- **Applications:** Terminal box, measuring box, gauge box, power distribution box, control box, socket box, etc.

产品展示 PRODUCT DETAIL



可安装底板, 安装方便
Installable base plate for easy installation.



壁挂式安装设计, 自带安装配件
Wall-mounted design with included installation accessories.



一体成型发泡防水, 防护能力更强
Integrated PU ring, stronger waterproof, and dustproof capabilities

型号和尺寸 MODEL & SIZE

尺寸 Size	灰盖 Gray Cover	透明盖 Clear Cover	备注
高*宽*深 (mm) H*W*D(mm)	型号 Model	型号 Model	Remark
300*200*170	SP-PCG-302017	SP-PCT-302017	二个搭扣 two hasp
400*300*170	SP-PCG-403017	SP-PCT-403017	
500*400*200	SP-PCG-504020	SP-PCT-504020	三个搭扣 three hasp
600*400*220	SP-PCG-604022	SP-PCT-604022	

塑料底板 Plastic mounting plate		镀锌底板 Galvanized mounting plate		镀锌中门 Galvanized inner door	
型号 Model	宽*高*深 (mm) W*H*D(mm)	型号 Model	宽*高*深 (mm) W*H*D(mm)	型号 Model	宽*高*深 (mm) W*H*D(mm)
SPA-302017	271*171*2	SP-302017	271*171*2	SP-N-302017	273*169*2
SPA-403017	371*271*2	SP-403017	371*271*2	SP-N-403017	372*269*2
SPA-504020	471*371*2	SP-504020	471*371*2	SP-N-504020	472*368*2
SPA-604022	571*371*2	SP-604022	571*371*2	SP-N-604022	572*368*2

配件 ACCESSORIES



塑料底板
Plastic base plate



镀锌底板
Galvanized base plate



中门
Middle door



挂角
Corner bracket

WATERPROOF SWITCH BOX (METAL CLASP)

SP-CAG 开关防水盒(金属搭扣)



技术参数 TECHNICAL DATA

- 材料:**
 - 箱体和盖子: 聚碳酸酯 (PC)
 - 防水圈: PU发泡
 - 铰链和搭扣: 304不锈钢
 - 塑料安装挂件: 聚碳酸酯 (PC)
- 颜色:** 灰色
- IP 防护等级:** IP66(按照IEC 60529标准)
- Material:**
 - Enclosure & Cover: Polycarbonate
 - Waterproof Ring: PU
 - Hinge and hasp: 304# Stainless Steel
 - Cover screws: Polycarbonate
 - Plastic wall mounting bracket: PC
- Color:** Gray
- Protection category IP to IEC 60529:** IP66
- NEMA 防护等级:** NEMA 4X
- 抗冲击等级:** IK08
- 阻燃等级:** V2(按照UL94-2013 标准)
- 认证:** CE, RoHS
- 使用环境温度:** -40°C~+132°C (短时间)
-40°C~+130°C (连续)
- Protection category NEMA:** NEMA 4X
- Against mechanical impacts:** IK08
- Flame retardant rating:** V2(UL94-2013 standard)
- Approvals:** CE, RoHS
- Ambient temperature range:** -40°C~+132°C (short time)
-40°C~+130°C (continuous)

- 标准产品包含:**
 - 箱体, 盖子, 塑料墙壁安装挂件
- 可选配件:**
 - 不锈钢墙壁安装挂件
 - 塑料底板
 - 镀锌底板
 - 镀锌中门
- 应用场景:** 端子箱、配电板、仪器仪表盒、信号箱, 插座箱, 电源箱等设备
- Standard products include:**
 - Box bottom, Box cover, Cover screws, Plastic wall mounting bracket
- Optional accessories:**
 - Stainless steel wall mounting bracket
 - Plastic mounting plate
 - Galvanized mounting plate
 - Galvanized inner door
- Applications:** Terminal box, measuring box, gauge box, power distribution box, control box, socket box, etc.

WATERPROOF SWITCH BOX (METAL CLASP)

SP-CAG 开关防水盒(金属搭扣)



型号和尺寸 MODEL & SIZE

尺寸 Size	灰盖 Gray Cover	透明盖 Clear Cover	备注
宽*高*深 (mm) W*H*D(mm)	型号 Model	型号 Model	Remark
100*150*90	SP-CAG-101509	SP-CAT-101509	一个搭扣 one hasp
125*175*90	SP-CAG-121709	SP-CAT-121709	
150*150*90	SP-CAG-151509	SP-CAT-151509	
160*210*100	SP-CAG-162110	SP-CAT-162110	
175*275*110	SP-CAG-172711	SP-CAT-172711	
190*280*140	SP-CAG-192814	SP-CAT-192814	二个搭扣 two hasp
200*300*130	SP-CAG-203013	SP-CAT-203013	
210*210*130	SP-CAG-212113	SP-CAT-212113	
280*380*140	SP-CAG-283814	SP-CAT-283814	
300*300*150	SP-CAG-303015	SP-CAT-303015	
300*200*170	SP-CAG-302017	SP-CAT-302017	
250*350*150	SP-CAG-253515	SP-CAT-253515	
300*400*170	SP-CAG-403017	SP-CAT-403017	
330*430*180	SP-CAG-334318	SP-CAT-334318	
430*530*200	SP-CAG-435320	SP-CAT-435320	
430*630*230	SP-CAG-436323	SP-CAT-436323	三个搭扣 three hasp
500*600*220	SP-CAG-506022	SP-CAT-506022	
530*730*250	SP-CAG-537325	SP-CAT-537325	
630*830*280	SP-CAG-638328	SP-CAT-638328	

内门 Inner Door			底板 Mounting Plate		
尺寸 Size(mm)	镀锌 Galvanized	不锈钢 Stainless Steel	尺寸 Size(mm)	镀锌 Galvanized	塑料 Plastic
宽*长*厚 W*L*D(mm)	型号 Model	型号 Model	宽*长*厚 W*L*D(mm)	型号 Model	型号 Model
			60*110*2	CA-MPG-101509	CA-MPP-101509
105*156*2		CA-MDS-121709	85*135*2	CA-MPG-121709	CA-MPP-121709
			110*110*2	CA-MPG-151509	CA-MPP-151509
139.5*189*2		CA-MDS-162110	120*170*2	CA-MPG-162110	CA-MPP-162110
154*255*2		CA-MDS-172711	135*235*2	CA-MPG-172711	CA-MPP-172711
179.5*279*2		CA-MDS-203013	160*260*2	CA-MPG-203013	CA-MPP-203013
180*281*2	CA-MDG-203017		171*271*2	CA-MPG-203017	
215*316*2	CA-MDG-253515	CA-MDS-253515	200*300*2	CA-MPG-253515	CA-MPP-253515
280*381*2	CA-MDG-403017	CA-MDS-403017	271*371*2	CA-MPG-403017	CA-MPP-403017
280*381*2	CA-MDG-334318	CA-MDS-334318	271*371*2	CA-MPG-334318	CA-MPP-334318
380*481*2	CA-MDG-435320	CA-MDS-435320	371*471*2	CA-MPG-435320	CA-MPP-435320
380*581*2	CA-MDG-436323	CA-MDS-436323	371*571*2	CA-MPG-436323	CA-MPP-436323
462.5*563*2	CA-MDG-506022	CA-MDS-506022	440*540*2	CA-MPG-506022	
454*654*2	CA-MDG-537325	CA-MDS-537325	440*640*2	CA-MPG-537325	CA-MPP-537325
584*784*2	CA-MDG-638328	CA-MDS-638328	575*775*2	CA-MPG-638328	CA-MPP-638328



技术参数 TECHNICAL DATA

- 材料:**
箱体和盖子: 聚碳酸酯 (PC)
防水圈: PU发泡
塑料安装挂件: 聚碳酸酯 (PC)
- 颜色:** RAL7035
- IP 防护等级:** 四角螺丝款 IP67
搭扣款 IP66
- Material:**
Enclosure & Cover: Polycarbonate
Waterproof Ring: PU
Plastic wall mounting bracket: PC
- Color:** RAL7035
- Protection category IP to IEC 60529:**
Four-corner screw type IP67
Buckle type IP66
- NEMA 防护等级:** NEMA 4X
- 抗冲击等级:** IK10
- 阻燃等级:** V2(按照UL94-2013 标准)
- 认证:** CE, RoHS
- 使用环境温度:** -40°C~+132°C (短时间)
-40°C~+130°C (连续)
- Protection category NEMA:** NEMA 4X
- Against mechanical impacts:** IK10
- Flame retardant rating:** V2(UL94-2013 standard)
- Approvals:** CE, RoHS
- Ambient temperature range:**
-40°C~+132°C (short time)
-40°C~+130°C (continuous)

- 标准产品包含:**
箱体, 盖子, 塑料墙壁安装挂件
- 可选配件:**
不锈钢墙壁安装挂件
塑料底板
镀锌底板
镀锌中门
- 应用场景:** 端子箱、配电板、仪器仪表盒、信号箱, 插座箱, 电源箱等设备
- Standard products include:**
Box bottom, Box cover, Cover screws, Plastic wall mounting bracket
- Optional accessories:**
Stainless steel wall mounting bracket
Plastic mounting plate
Galvanized mounting plate
Galvanized inner door
- Applications:** Terminal box, measuring box, gauge box, power distribution box, control box, socket box, etc.

产品展示 PRODUCT DETAIL



加厚箱体壁厚, 抗冲击等级达IK10, 确保高强度防护
Thickened enclosure with IK10 impact resistance for strong protection.

支持螺丝直接固定与挂角安装两种方式, 适配多种安装场景
Supports screw or bracket mounting for flexible installation.

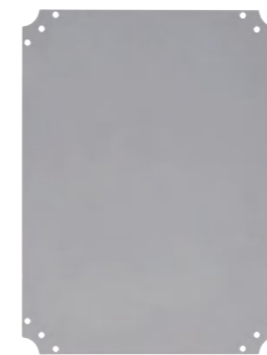
独创底座定位点设计, 实现盖体快速精准对位, 提升安装效率
Unique base design ensures quick, precise cover alignment.

采用加宽加厚防水密封条, 显著提升防尘防水防护等级
Enhanced sealing strip for improved dust and water resistance.

型号和尺寸 MODEL & SIZE

尺寸 Size	灰盖四角螺丝 Cray Cover with Screw	透明盖四角螺丝 Clear Cover with Screw	灰盖带搭扣 Cray Cover with Hasp	透明盖带搭扣 Clear Cover with Hasp
宽*高*深 (mm) W*H*D(mm)	型号 Model	型号 Model	型号 Model	型号 Model
300*400*170	SP-WG-304017	SP-WT-304017	SP-WGH-304017	SP-WTH-304017
400*500*200	SP-WG-405020	SP-WT-405020	SP-WGH-405020	SP-WTH-405020

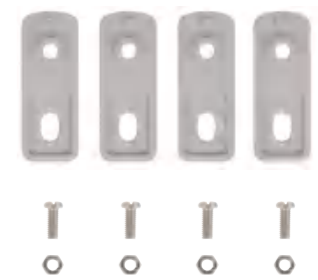
配件 ACCESSORIES



镀锌底板
Galvanized base plate



中门
Middle door



挂角
Corner bracket

尺寸 Size	安装板 Mounting Plate
宽*高*深 (mm) W*H*D(mm)	型号 Model
371*271*1.5	WG-MP-3040
471*371*1.5	WG-MP-4050

尺寸 Size	中门 Inner Door
宽*高*深 (mm) W*H*D(mm)	型号 Model
372*269*1.5	WG-MD-3040
472*368*1.5	WG-MD-4050



技术参数 TECHNICAL DATA

- **材料:**
盒体和盖子: PC
防水圈: PUR
盖子螺丝: PC
塑料安装挂件: PC
- **IP 防护等级:** IP66(封板安装好之后)
- **NEMA 防护等级:** NEMA 4X(封板安装好之后)
- **抗冲击等级:** IK08
- **应用环境:** 端子箱、配电板、仪器仪表盒、信号箱, 插座箱, 电源箱等设备
- **使用环境温度:** -40°C~+132°C (短时间)
-40°C~+130°C (连续)
- **标准产品包含:**
底盒带可拆卸侧板, 盖子, 盖子螺丝, 塑料墙壁安装挂件
- **可选配件:**
不锈钢墙壁安装挂件
金属安装底板
- **Ambient temperature range:**
-40°C~+132°C (short time)
-40°C~+130°C (continuous)
- **Material:**
Enclosure & Cover: PC
Waterproof Ring: Polyurethane Reactive
Cover screws: PC
Plastic wall mounting bracket: PC
- **Protection category IP to IEC 60529:**
IP66(After installed side wall)
- **Protection category NEMA:**
NEMA 4X (After installed side wall)
- **Against mechanical impacts:** IK08
- **Applications:** Terminal box, measuring box, gauge box, power distribution box, control box, socket box, etc.
- **颜色:**
RAL7035
- **标准产品包含:**
Base with removable side panels, Box cover, Cover screws, Plastic wall mounting bracket
- **Optional accessories:**
Steel wall mounting bracket
Steel mounting plate
- **Color:**
RAL7035

型号和尺寸 MODEL & SIZE

尺寸 Size	灰盖 Gray Cover	透明盖 Clear Cover	备注
长*宽*高 (mm) L*W*H(mm)	型号 Model	型号 Model	Remark
400*300*180	SP-PS-403018	SP-PST-403018	四颗螺丝 Four screws
600*400*180	SP-PS-604018	SP-PST-604018	四颗螺丝 Four screws

尺寸 Size	安装板 Mounting Plate	备注
长*宽*高 (mm) L*W*H(mm)	型号 Model	Remark
371*271*1.5	PS-MP-4030	镀锌板
571*371*1.5	PS-MP-6040	Galvanized sheet



技术参数 TECHNICAL DATA

- **材料:**
箱体和盖子: ABS
防水圈: PU发泡
铰链和搭扣销钉: 201 不锈钢
- **NEMA 防护等级:** NEMA 4
- **抗冲击等级:** IK08
- **认证:** CE, RoHS
- **应用环境:** 这款带有固定耳的电气接线盒和电气设备盒常用于工业领域、机床、汽车和隧道
- **使用环境温度:** -40°C~+100°C (短时间)
-40°C~+80°C (连续)
- **标准产品包含:**
箱体, 盖子
- **可选配件:**
金属墙壁安装挂件
ABS塑料底板
- **颜色:** 灰色
- **IP防护等级:** IP65(按照IEC 60529标准)
- **Ambient temperature range:**
-40°C~+100°C (short time)
-40°C~+80°C (continuous)
- **Material:**
Enclosure & cover: ABS
Waterproof ring: PU
Ping for hinge and hasp: SS201
- **Protection category NEMA:** NEMA 4
- **Against mechanical impacts:** IK08
- **Approvals:** CE, RoHS
- **Applications:** Commonly used in the industry field, machine tools, automotive and tunnels.
- **标准产品包含:**
Box bottom, Box cover
- **Optional accessories:**
Steel wall mounting bracket
Plastic mounting plate

SP-MG ABS BUCKLE WATERPROOF BOX

ABS搭扣防水箱



产品展示 PRODUCT DETAIL



箱体采用搭扣设计，使用更方便
The enclosure features a latch design for easier use.



安装柱镶嵌铜螺母，安装零部件牢固可靠
The mounting posts with embedded copper nuts ensure firm and reliable component installation



一体成型发泡防水，防护能力更强
Integrated PU ring, stronger waterproof, and dustproof capabilities

型号和尺寸 MODEL & SIZE

尺寸 Size	型号 Model	底板 Mounting Plate		
高*宽*深 (mm) H*W*D(mm)	型号 Model	尺寸 Size(mm)	型号 Model	备注 Remark
150*150*90	SP-MG-151509		SP-MGD-1515	塑料 plastic
160*100*85	SP-MG-1016085		SP-MGD-1016	塑料 plastic
175*125*85	SP-MG-1217085	110*160	SP-MGD-1217	塑料 plastic
200*110*90	SP-MG-112009		SP-MGD-1120	塑料 plastic
210*160*90	SP-MG-211609			
200*150*100	SP-MG-152010	175*125	SP-MGD-1520	塑料 plastic
200*150*130	SP-MG-152013	175*125	SP-MGD-1520	塑料 plastic
250*170*100	SP-MG-172510	215*125	SP-MGD-1725	塑料 plastic
280*190*130	SP-MG-192813	164*254	SP-MGD-1928	塑料 plastic
300*200*150	SP-MG-203015	164*254	SP-MGD-2030	塑料 plastic
300*300*140	SP-MG-303014	290*290	SP-MGD-3030	金属 steel
360*250*150	SP-MG-253615	224*322	SP-MGD-2536	塑料 plastic
400*300*170	SP-MG-304017	350*250	SP-MGD-3040	塑料 plastic
480*370*180	SP-MG-374818			
500*400*200	SP-MG-405020	457*350	SP-MGD-4050	金属 steel
620*420*220	SP-MG-426222	555*355	SP-MGD-4262	金属 steel

SP-AG ABS WATERPROOF BOX WITH LOCKABLE

ABS带锁防水箱



技术参数 TECHNICAL DATA

- 材料:** 箱体和盖子: ABS
防水圈: PU发泡
铰链和搭扣销钉: 201不锈钢
- 颜色:** 灰色
- IP防护等级:** IP65(按照IEC 60529标准)
- Material:** Enclosure & cover: ABS
Waterproof ring: PU
Ping for hinge and hasp: 201# Stainless Steel
- Color:** Gray
- Protection category IP to IEC 60529:** IP65
- NEMA 防护等级:** NEMA 4
- 抗冲击等级:** IK08
- 认证:** CE, RoHS
- 应用场景:** 这款带有固定耳的电气接线盒和电气设备盒常用于工业领域、机床、汽车和隧道
- Protection category NEMA:** NEMA 4
- Against mechanical impacts:** IK08
- Approvals:** CE, RoHS
- Applications:** Commonly used in the industry field, machine tools, automotive and tunnels.
- 使用环境温度:** -40°C~+100°C (短时间)
-40°C~+80°C (连续)
- 标准产品包含:** 箱体, 盖子
- 可选配件:** 金属墙壁安装挂件
ABS塑料底板
- Ambient temperature range:** -40°C~+100°C (short time)
-40°C~+80°C (continuous)
- Standard products include:** Box bottom, Box cover
- Optional accessories:** Steel wall mounting bracket
Plastic mounting plate

型号和尺寸 MODEL & SIZE

尺寸 Size	灰盖 Gray Cover	透明盖 Clear Cover	透明盖带中码 Clear Cover with inner door	备注
高*宽*深 (mm) H*W*D(mm)	型号 Model	型号 Model	型号 Model	Remark
300*200*160	SP-AG-302016	SP-AT-302016	SP-ATM-302016	一把锁 one lock
400*300*160	SP-AG-403016	SP-AT-403016	SP-ATM-403016	一把锁 one lock
500*400*195	SP-AG-504019	SP-AT-504019	SP-ATM-504019	一把锁 one lock
600*400*195	SP-AG-604019	SP-AT-604019	SP-ATM-604019	二把锁 two lock
600*500*195	SP-AG-605019	SP-AT-605019	SP-ATM-605019	二把锁 two lock



技术参数 TECHNICAL DATA

- **材料:**
箱体: PVC
灰色盖: PVC
透明盖: 聚碳酸酯 (PC)
防水圈: PU发泡
铰链和锁: ABS
铰链和锁安装螺丝: 铁镀镍
安装挂件: 铁镀五彩
- **Material:**
Enclosure & cover: ABS
Cover gray: ABS (Options: PC)
Clear cover: Polycarbonate
Waterproof ring: PU
Hinge & lock: ABS
Screws for hinge and lock: Nickel-plated iron
Wall mounting bracket: steel
- **颜色:** 灰色
- **IP 防护等级:** IP54(按照IEC 60529标准)
- **NEMA 防护等级:** NEMA 3
- **抗冲击等级:** IK08
- **认证:** CE, RoHS
- **使用环境温度:** -40°C~+100°C (短时间)
-40°C~+80°C (连续)
- **Color:** Gray
- **Protection category IP to IEC 60529:** IP54
- **Protection category NEMA:** NEMA 3
- **Against mechanical impacts:** IK08
- **Approvals:** CE, RoHS
- **Ambient temperature range:**
-40°C~+100°C (short time)
-40°C~+80°C (continuous)

产品展示 PRODUCT DETAIL



铰链采用优质工程塑料制作, 韧性好, 抗腐蚀。
The hinges are made of high-quality plastic, tough and corrosion-resistant.



可根据需求定制四角螺丝固定方式
Customizable four-corner screw fixing method upon request.



壳体背面预留安装孔, 可配安装挂角, 固定安装在墙上
Pre-drilled mounting holes on the back for wall installation.

型号和尺寸 MODEL & SIZE

尺寸 Size	灰盖 Gray Cover	透明盖 Clear Cover	透明盖带中码 Clear Cover with inner door
高*宽*深 (mm) H*W*D(mm)	型号 Model	型号 Model	型号 Model
300*200*130	SP-PHV-302013	SP-PTV-302013	SP-PTMV-302013
300*200*180	SP-PHV-302018	SP-PTV-302018	SP-PTMV-302018
300*200*220	SP-PHV-302022	SP-PTV-302022	SP-PTMV-302022
300*200*260	SP-PHV-302026	SP-PTV-302026	SP-PTMV-302026
300*200*300	SP-PHV-302030	SP-PTV-302030	SP-PTMV-302030
350*250*130	SP-PHV-352513	SP-PTV-352513	SP-PTMV-352513
350*250*180	SP-PHV-352518	SP-PTV-352518	SP-PTMV-352518
350*250*220	SP-PHV-352522	SP-PTV-352522	SP-PTMV-352522
350*250*260	SP-PHV-352526	SP-PTV-352526	SP-PTMV-352526
350*250*300	SP-PHV-352530	SP-PTV-352530	SP-PTMV-352530
400*300*130	SP-PHV-403013	SP-PTV-403013	SP-PTMV-403013
400*300*180	SP-PHV-403018	SP-PTV-403018	SP-PTMV-403018
400*300*220	SP-PHV-403022	SP-PTV-403022	SP-PTMV-403022
400*300*260	SP-PHV-403026	SP-PTV-403026	SP-PTMV-403026
400*300*300	SP-PHV-403030	SP-PTV-403030	SP-PTMV-403030
450*350*130	SP-PHV-453513	SP-PTV-453513	SP-PTMV-453513
450*350*180	SP-PHV-453518	SP-PTV-453518	SP-PTMV-453518
450*350*220	SP-PHV-453520	SP-PTV-453520	SP-PTMV-453520
450*350*260	SP-PHV-453526	SP-PTV-453526	SP-PTMV-453526
450*350*300	SP-PHV-453530	SP-PTV-453530	SP-PTMV-453530
500*400*150	SP-PHV-504015	SP-PTV-504015	SP-PTMV-504015
500*400*180	SP-PHV-504018	SP-PTV-504018	SP-PTMV-504018
500*400*220	SP-PHV-504022	SP-PTV-504022	SP-PTMV-504022
500*400*260	SP-PHV-504026	SP-PTV-504026	SP-PTMV-504026
500*400*300	SP-PHV-504030	SP-PTV-504030	SP-PTMV-504030
600*400*150	SP-PHV-604015	SP-PTV-604015	SP-PTMV-604015
600*400*180	SP-PHV-604018	SP-PTV-604018	SP-PTMV-604018
600*400*220	SP-PHV-604022	SP-PTV-604022	SP-PTMV-604022
600*400*260	SP-PHV-604026	SP-PTV-604026	SP-PTMV-604026
600*400*300	SP-PHV-604030	SP-PTV-604030	SP-PTMV-604030
600*500*150	SP-PHV-604015	SP-PTV-604015	SP-PTMV-604015
600*500*180	SP-PHV-604018	SP-PTV-604018	SP-PTMV-604018
600*500*220	SP-PHV-604022	SP-PTV-604022	SP-PTMV-604022
600*500*260	SP-PHV-604026	SP-PTV-604026	SP-PTMV-604026
600*500*300	SP-PHV-604030	SP-PTV-604030	SP-PTMV-604030
780*580*150	SP-PHV-785815	SP-PTV-785815	SP-PTMV-785815
780*580*180	SP-PHV-785818	SP-PTV-785818	SP-PTMV-785818
780*580*220	SP-PHV-785822	SP-PTV-785822	SP-PTMV-785822
780*580*260	SP-PHV-785826	SP-PTV-785826	SP-PTMV-785826
780*580*300	SP-PHV-785830	SP-PTV-785830	SP-PTMV-785830

- **标准产品包含:**
箱体, 盖子, 金属安装挂件
- **可选配件:**
PVC 安装底板
- **应用场景:** 端子箱、配电板、仪器仪表盒、信号箱, 插座箱, 电源箱等设备
- **特点:** PVC 板拼接而成, 尺寸能多样化
- **Standard products include:**
Box bottom, Box cover, steel mounting bracket
- **Optional accessories:**
PVC mounting plate
- **Applications:** Terminal box, measuring box, gauge box, power distribution box, control box, socket box, etc
- **Features:** Assembled from PVC panels, available in various sizes



技术参数 TECHNICAL DATA

- 材料:** 盒体和盖子: PC+ ABS
防水圈: PUR
盖子螺丝: PC
塑料安装挂件: 聚碳酸酯 (PC)
- IP 防护等级:** 最高达到IP67(模块D安装之后), 防护等级依所选配件而变化。
- NEMA 防护等级:** NEMA 4X (模块D安装之后), 防护等级依所选配件而变化。
- 抗冲击等级:** IK09
- 应用场景:** 用于工业现场和户外设备供电分配。
- Material:** Enclosure & Cover: Polycarbonate & ABS
Waterproof Ring: Polyurethane Reactive
Cover screws: Nickel-plated iron
Plastic wall mounting bracket: PC
- Protection category IP to IEC 60529:** Up to IP67 (after installing Module D), Protection level varies by accessories.
- Protection category NEMA:** Up to NEMA 4X (after installing Module D), Protection level varies by accessories.
- Against mechanical impacts:** IK09
- Applications:** Designed for durable outdoor power distribution in industrial environments.
- 使用环境温度:** -40°C ~ +100°C (短时间)
-40°C ~ +80°C (连续)
- 标准产品包含:** 底盒, 盖子, 盖子螺丝, 塑料墙壁安装挂件
- 可选配件:** CS-001 透视窗A模块 CS-002 2位孔B模块
CS-003 3位孔C模块 CS-004 空白板D模块
- Ambient temperature range:** -40°C ~ +100°C (short time)
-40°C ~ +80°C (continuous)
- Standard products include:** Base, Box cover, Cover screws, Plastic wall mounting bracket
- Optional accessories:** CS-001 CS-002
CS-003 CS-004

型号和尺寸 MODEL & SIZE

型号	尺寸 Size	可按照模块数	备注
Model	宽*高*深(mm) W*H*D(mm)	Number of Modular	Remark
SP-CS-293227	290*320*270	2	八颗螺丝 Eight screws
SP-CS-294627	290*460*270	3	十颗螺丝 Ten screws
SP-CS-296027	290*600*270	4	十二颗螺丝 Twelve screws

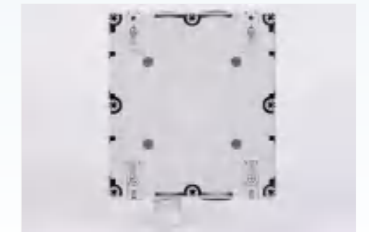
产品展示 PRODUCT DETAIL



模块化插座面板采用螺纹快装结构, 插座可免螺钉安装, 通过机械锁销精准定位并锁紧。
Modular socket panels feature threaded quick-mounting for screw-free installation, secured by mechanical locking pins.



箱体上下预留 M25、M32、M40、M50 多规格进线孔, 适配更广泛的电缆尺寸, 安装更灵活。
Pre-cut M25, M32, M40, and M50 entries on top and bottom for flexible wiring.



箱体背面配备可收缩式壁挂件, 安装更便捷, 同时减少包装体积, 便于运输。
Retractable wall-mount brackets for easy installation and compact transport.

模块 Module



CS-001 透视窗A模块



CS-002 2位孔B模块



CS-003 3位孔C模块



CS-004 空白板D模块

型号	描述
Model	Description
CS-001	可安装1-12位 1P小型断路器 Supports installing 1-12 units of 1P miniature circuit breakers
CS-002	可以安装2个插座, 规格16A, 32A Can accommodate two sockets, available in 16A or 32A.
CS-003	可以安装3个插座, 规格16A, 32A Can accommodate two sockets, available in 16A or 32A.
CS-004	可以开孔装任何规格和设计的插座 Can be cut out to fit sockets of any size or design.

模块插座箱专用插座选型
Optional sockets for the socket box

IP44



IP67





技术参数 TECHNICAL DATA

材料:

箱体和盖子: Fiberglass(SMC)
防水圈: PU发泡
铰链: 锌合金
锁: 尼龙
安装底板: 镀锌板
安装挂件: ABS

Material:

Enclosure & cover: Fiberglass(SMC)
Waterproof ring: PU
Hinge: Zinc alloy
Lock: PA66
Mounting plate: Galvanized steel plate
Wall mounting bracket: ABS

颜色: 灰色

IP防护等级: IP66(按照IEC 60529标准)

抗冲击等级: IK09

认证: CE, RoHS

应用场景: 端子箱、配电板、仪器仪表盒、信号箱、插座箱、电源箱等设备, 更适应腐蚀、潮湿的环境

Color: Gray

Protection category IP to IEC 60529: IP66

Against mechanical impacts: IK09

Approvals: CE, RoHS

Applications: Terminal box, measuring box, gauge box, power distribution box, control box, socket box, etc., more suitable for corrosive and humid environments.

使用环境温度: -40°C~+120°C (短时间) -40°C~+100°C (连续)

标准产品包含:

箱体, 盖子, 通用锁钥匙, 塑料安装挂件, 安装底板

可选配件:

环氧树脂安装底板
钥匙锁

Ambient temperature range:

-40°C~+120°C (short time)
-40°C~+100°C (continuous)

Standard products include:

Box bottom, Box cover, Universal key,
Plastic wall mounting bracket, Galvanized mounting plate

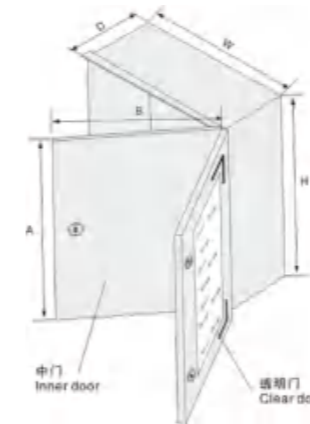
Optional accessories:

Polyester mounting plate
Key lock

型号和尺寸 MODEL & SIZE

尺寸 Size	灰盖 Gray Cover	灰盖带透视图 Gray cover with window	灰盖带中门 Gray cover with inner door	灰盖带透视图带中门 Gray cover with window & inner door
高*宽*深 (mm) H*W*D(mm)	型号 Model	型号 Model	型号 Model	型号 Model
300*250*140	DS-SMC-32514	DS-SMT-32514	DS-AGM-32514	DS-ATM-32514
400*300*200	DS-SMC-43020	DS-SMT-43020	DS-AGM-43020	DS-ATM-43020
400*400*200	DS-SMC-44020	DS-SMT-44020	DS-AGM-44020	DS-ATM-44020
500*400*200	DS-SMC-54020	DS-SMT-54020	DS-AGM-54020	DS-ATM-54020
600*400*230	DS-SMC-64023	DS-SMT-64023	DS-AGM-64023	DS-ATM-64023
600*500*230	DS-SMC-65023	DS-SMT-65023	DS-AGM-65023	DS-ATM-65023
800*600*300	DS-SMC-86030	DS-SMT-86030	DS-AGM-86030	DS-ATM-86030
1000*800*300	DS-SMC-108030	DS-SMT-108030	DS-AGM-108030	DS-ATM-108030

配件 ACCESSORIES

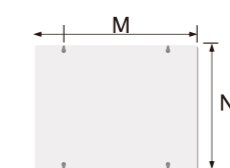


标准锁 Standard lock
型号 Model: MS-01
包装 Package: 1pc

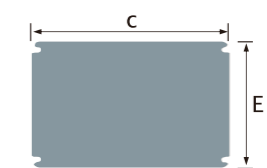
钥匙锁 Key lock
型号 Model: MS705
包装 Package: 1pc



安装支架: Wall mount brackets
型号 Model: SPX-01 包装 Package: 4pcs/set



环氧树脂安装底板
Polyester mounting plate



铁安装底板
Steel mounting plate



箱体特点 BOX FEATURES

- 箱体构件由全绝缘的高分子复合材料(SMC)经高温模压成型
- 箱体构件为模压成型，积木式拼装结构，所以尺寸精度高、安装方便。
- 优良的绝缘性能。箱体为全绝缘结构，无需增设接地系统。材料本身优良的绝缘性能，加上特殊的通风结构设计，可以有效的防止箱体内部凝露、凝霜发生的可能。
- 优良的耐化学腐蚀性能，能有效抵抗弱酸、弱碱、盐雾、雨水的腐蚀。
- 优良的抗老化性能，在材料内添加防紫外线元素处理，使得箱体更加耐用，使用寿命长。
- 全封闭的结构，独特的防尘设计，防护等级达到IP44甚至IP54。

- Box parts are high temperature pressure formed with completely insulating polymer composite materials(SMC).
- Box parts is pressure formed, modular construction, with high dimensional precision and convenient installation.
- Excellent insulation property. The box is completely insulating structure, no need adding earthing system.
- Excellent heat-shielding performance and special ventilation structure design prevent box inside from condensation and glazed frost.
- Excellent corrosion proof properties withstand dilute acid, base, salt and rain corrosion
- Excellent aging resistance property adding substace withstanding ultraviolet ray in the material makes the box more durable and longer life.
- Completely sealed structure and special protection design make orotection class up to IP44,IP54.

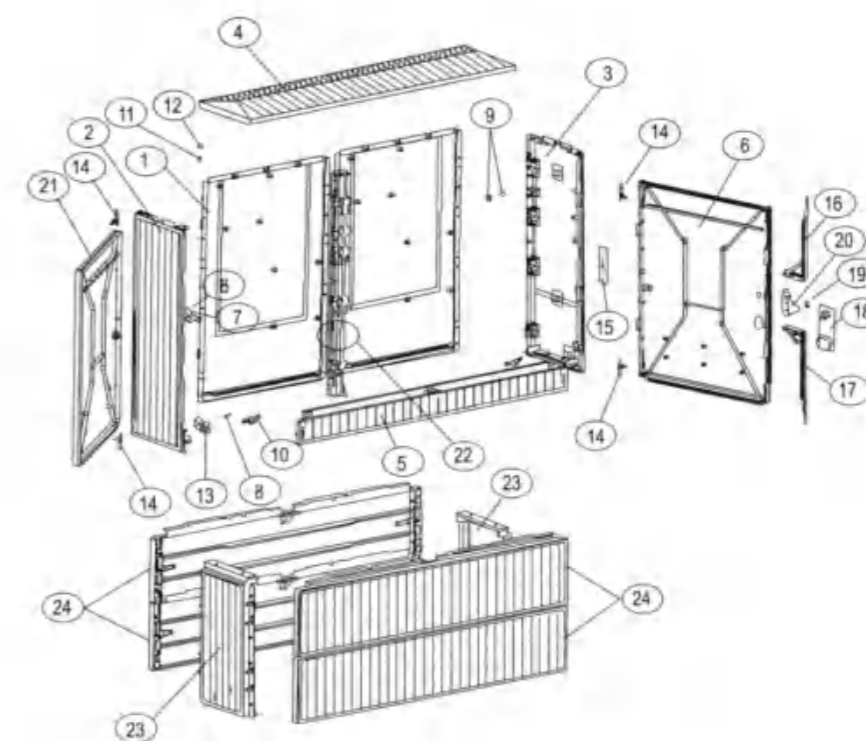
型号和尺寸 MODEL & SIZE

宽*深*高(mm) W*D*H(mm)	型号 Model	备注 Remark	高*宽*深(mm) H*W*D(mm)	型号 Model	备注 Remark
400*350*1000	PDB-SMC-401035		1000*485*1000	PDB-SMC-101048	可前后开门 Front and rear doors available
600*350*1000	PDB-SMC-601035		600*485*1200	PDB-SMC-601248	可前后开门 Front and rear doors available
800*350*1000	PDB-SMC-801035		800*485*1200	PDB-SMC-801248	可前后开门 Front and rear doors available
1000*350*1000	PDB-SMC-101035		1000*485*1200	PDB-SMC-101248	可前后开门 Front and rear doors available
1200*350*1000	PDB-SMC-121035		600*640*1000	PDB-SMC-601064	可配钢底座 Optional steel base available
400*350*1200	PDB-SMC-401235		800*640*1000	PDB-SMC-801064	可配钢底座 Optional steel base available
600*350*1200	PDB-SMC-601235		1000*640*1000	PDB-SMC-101064	可配钢底座 Optional steel base available
800*350*1200	PDB-SMC-801235		1200*640*1000	PDB-SMC-121064	可配钢底座 Optional steel base available
1000*350*1200	PDB-SMC-101235		600*640*1200	PDB-SMC-601264	可配钢底座 Optional steel base available
1200*350*1200	PDB-SMC-121235		800*640*1200	PDB-SMC-801264	可配钢底座 Optional steel base available
600*485*1000	PDB-SMC-601048	可前后开门 Front and rear doors available	1000*640*1200	PDB-SMC-101264	可配钢底座 Optional steel base available
800*485*1000	PDB-SMC-601048	可前后开门 Front and rear doors available	1200*640*1200	PDB-SMC-121264	

构件列表 COMPONENTS LIST

编号 No.	名称 Name	编号 No.	名称 Name
1	后板 Rack plate	13	门锁扣 Door Lock Catch
2	左侧板 Left Plate	14	铰链拴 Hinge Hitch
3	右侧板 Right Plate	15	闪电标志 Lightning Symbol
4	顶板 Top Plate	16	上滑动部件 Upper Sliding Part
5	活动板 Movable Plate	17	下滑动部件 Under Sliding Part
6	左门板 Left Door Plate	18	门锁 Door Lock
7	门锁扣 Door Lock Catch	19	门锁防滑片 Door Lock Antiship Piece
8	螺钉 Screw	20	锁舌 Lock Bolt
9	方形螺母 Square Nut	21	左门板 Left Door Plate
10	分段卡扣锁 Section Lock Catch	22	后板连接件 Back Plate Connecting Piece
11	顶板螺钉 Top Plate Screw	23	底座右侧板 Base Right Plate
12	垫片 Pad	24	底座前后板 Base Front Back Plate

箱体分解图 BOX EXPLODED DIAGRAM



WATERPROOF DISTRIBUTION BOX

防水配电箱



SAIPWELL ELEC.

Copyright © SaipWell ELEC. All Right Reserved Deliver happiness to everyone

GDB

WATERPROOF DISTRIBUTION BOX

防水配电箱



产品特性 PRODUCT FEATURES

- 采用原生 PC 材料，具备卓越的抗冲击性、耐候性、防腐性与阻燃性能，保证长期安全运行。
- 结构严密，防尘防水性能出众，达到IP65防护等级，适用于户内外及潮湿、腐蚀性环境。
- 采用防紫外线透明上盖，巡检方便，内部元件可视可控，防止老化与色变。
- 支持壁挂安装，模块化结构灵活配置，提供 4/6/9/12/18/24/36 回路多种规格，适配不同应用需求。
- 适用于工业控制，终端配电，户外照明，小型控制设备。
- Made from virgin polycarbonate with excellent impact resistance, weatherproofing, anti-corrosion, and flame-retardant properties for long-term durability.
- Sealed housing rated IP65 ensures reliable protection against dust and water in both indoor and outdoor installations.
- UV-resistant transparent lid enables easy inspection and prevents internal components from aging or discoloration.
- Wall-mount modular structure available in 4-36 ways, adaptable for various power distribution and control scenarios.
- Suitable for industrial control, terminal distribution, outdoor lighting, compact control systems.

型号和尺寸 MODEL & SIZE

型号 Model	宽*高*深 (mm) WxHxD(mm)	可安装断路器位数 No. of breaks
GDB-04	145*210*105	4
GDB-06	165*210*105	6
GDB-09	220*210*105	9
GDB-12	275*229*105	12
GDB-18	385*230*110	18
GDB-24	275*380*110	24
GDB-36	275*530*110	36

GDB系列 WATERPROOF DISTRIBUTION BOX-GDB SERIES

产品图片 Product photo	产品尺寸 Product size
	<p>型号Model GDB-04</p>
	<p>型号Model GDB-06</p>
	<p>型号Model GDB-09</p>
	<p>型号Model GDB-12</p>

GDB系列 WATERPROOF DISTRIBUTION BOX-GDB SERIES

产品图片 Product photo	产品尺寸 Product size
	<p>型号Model GDB-18</p>
	<p>型号Model GDB-24</p>
	<p>型号Model GDB-36</p>



产品特性 PRODUCT FEATURES

- 箱体采用原生 ABS + PC 材料一体注塑成型，抗冲击、绝缘、防腐性能优越，兼具轻质与坚固特性。
- 结构紧凑，密封圈采用高弹性发泡密封设计，防水防尘，防护等级达IP65。
- 上盖采用防紫外线 PC 材料，有效抵御户外紫外线老化，方便巡检与维护。
- 支持壁挂安装，提供 4/6/9/12/18/24/36 回路多种规格，适用于终端接线与小型控制设备。
- 获得TÜV Rheinland、CE 认证，适用于室内配电，户外照明，工业终端，控制设备等。
- Made from virgin ABS + PC with integrated molding for superior impact resistance, insulation, and corrosion protection – lightweight yet durable.
- Compact structure with high-elastic foam seal ensuring IP65-grade protection against dust and water ingress.
- UV-resistant PC cover enables easy inspection while maintaining clarity and long-term appearance outdoors.
- Wall-mount modular design available in 4–36 ways, ideal for terminal connections and compact control systems.
- TÜV Rheinland and CE certified – suitable for indoor distribution, outdoor lighting, industrial terminals, and control devices.

型号和尺寸 MODEL & SIZE

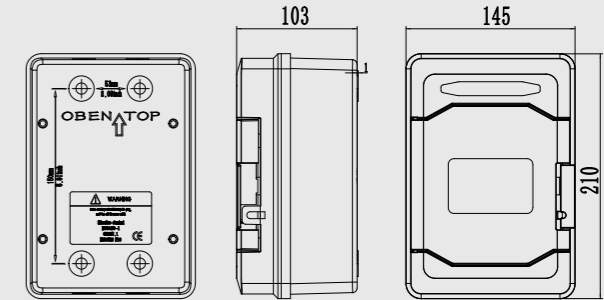
型号	宽*高*深 (mm)	可安装断路器位数
Model	WxHxD(mm)	No. of breaks
GDC-04	145*210*105	4
GDC-06	165*210*105	6
GDC-09	220*210*105	9
GDC-12	275*229*105	12
GDC-18	385*230*110	18
GDC-24	275*380*110	24
GDC-36	275*530*110	36

GDC系列 WATERPROOF DISTRIBUTION BOX-GDC SERIES

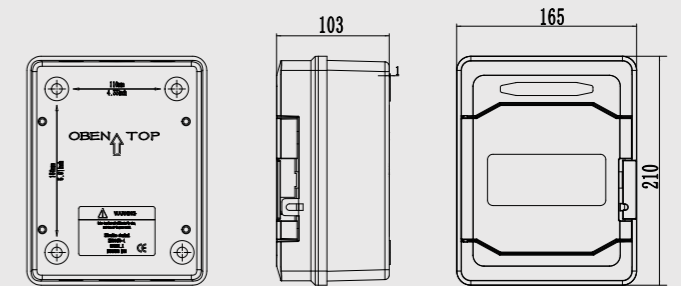
产品图片
Product photo



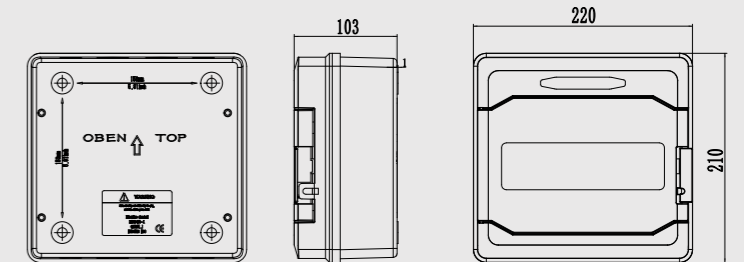
产品尺寸
Product size



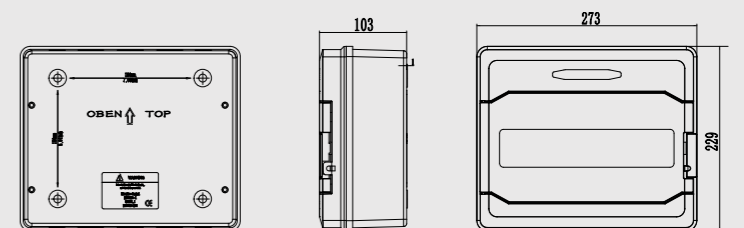
型号Model
GDC-04



型号Model
GDC-06



型号Model
GDC-09



型号Model
GDC-12

GDC系列 WATERPROOF DISTRIBUTION BOX-GDC SERIES

产品图片 Product photo	产品尺寸 Product size
	<p>型号Model GDC-18</p>
	<p>型号Model GDC-24</p>
	<p>型号Model GDC-36</p>



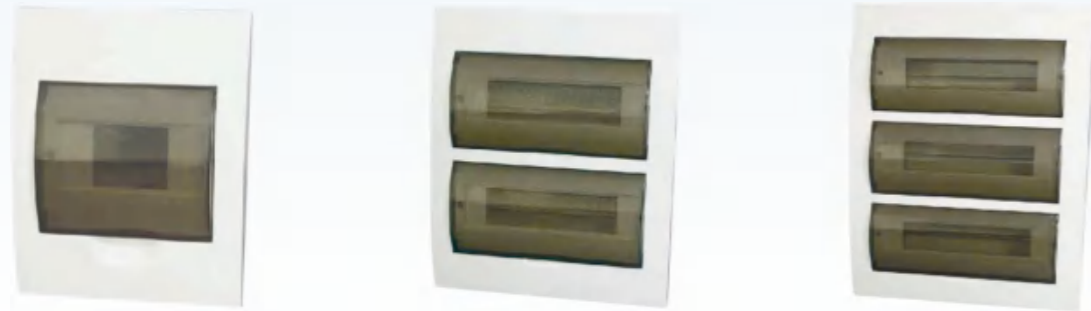
SHT系列 WATERPROOF DISTRIBUTION BOX-SHT SERIES(IP65)

型号 型号 Model	长x宽x高 (mm) LxWxH(mm)	断路器可安装数 No.of breakers(pcs)
SHT-5	150x110x90	2-5
SHT-8	195x145x90	8
SHT-12	250x195x110	12
SHT-15	300x190x110	15
SHT-18	350x190x110	18
SHT-24	350x270x110	24



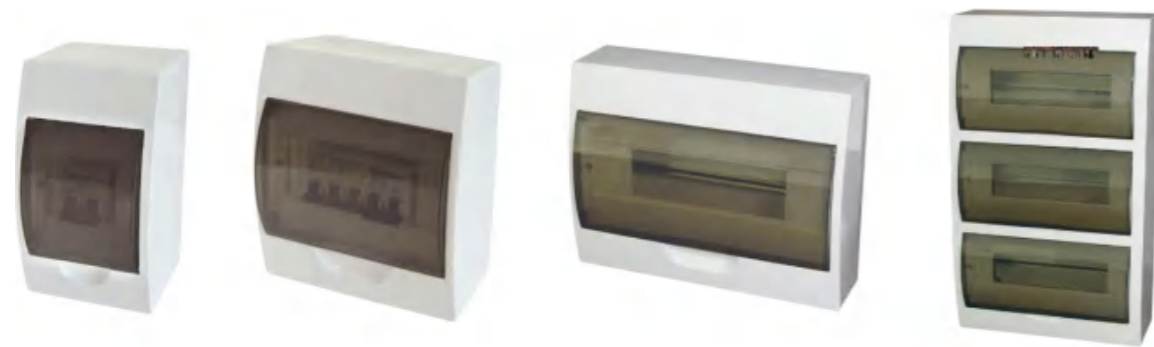
SHA系列 WATERPROOF DISTRIBUTION BOX SHA SERIES(IP65)

型号 型号 Model	长x宽x高 (mm) LxWxH(mm)	断路器可安装数 No.of breakers(pcs)
SHA-4	140X208X95	2-5
SHA-8	212X208X95	8
SHA-12	295X255X130	12
SHA-18	410X280X130	18
SHA-24	420X295X130	24



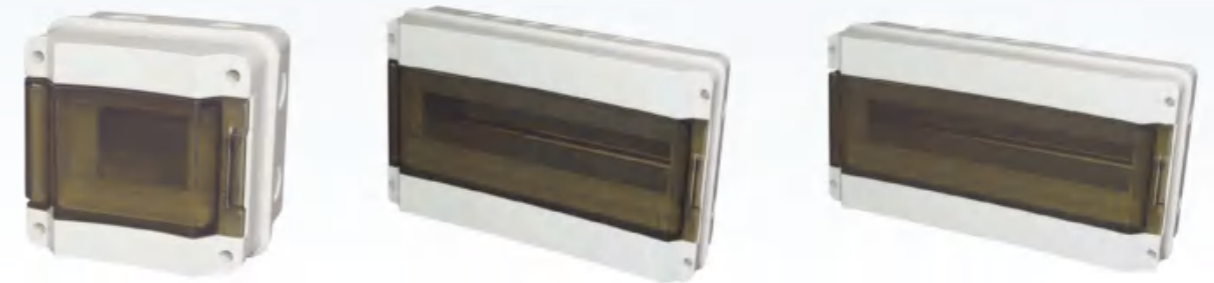
AN-TSM暗装系列 DISTRIBUTION BOX AN-TSM SERIES(FLUSH)

铁底座 Iron Base Dimension		塑料底座 Plastics Base Dimension	
型号 Model	长x宽x高 LxWxH(mm)	型号 Model	长x宽x高 LxWxH(mm)
AN-TSM-2	99×140×60	AN-TSM-2ways	90×140×60
AN-TSM-4	107×190×85	AN-TSM-4ways	112×200×66
AN-TSM-6	143×190×85	AN-TSM-6ways	150×200×66
AN-TSM-8	179×190×85	AN-TSM-8ways	184×200×66
AN-TSM-10	222×200×85	AN-TSM-10ways	222×200×66
AN-TSM-12	250×190×85	AN-TSM-12ways	256×200×66
AN-TSM-15	306×190×85	AN-TSM-15ways	310×200×66
AN-TSM-18	361×217×85	AN-TSM-18ways	365×220×76
AN-TSM-24	252×310×85	AN-TSM-24ways	257×310×76
AN-TSM-36	290×475×85	AN-TSM-36ways	293×455×76
AN-TSM-45	473×326×76	AN-TSM-45ways	473×326×76



MIN-TSM明装系列 DISTRIBUTION BOX MIN-TSM SERIES(SURFACE)


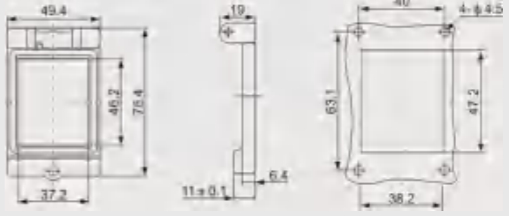

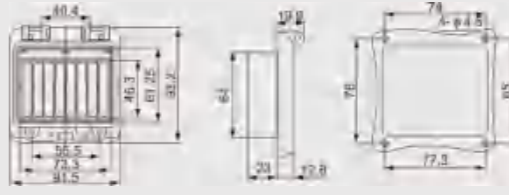
型号	长 (mm)	宽 (mm)	高 (mm)
Model	L (mm)	W (mm)	H (mm)
MIN-TSM-2	90	140	60
MIN-TSM-4	112	210	100
MIN-TSM-6	148	210	100
MIN-TSM-8	184	210	100
MIN-TSM-10	222	210	100
MIN-TSM-12	256	210	100
MIN-TSM-15	312	210	100
MIN-TSM-18	364	222	100
MIN-TSM-24	270	328	100
MIN-TSM-36	270	460	100
MIN-TSM-45	473	326	100



SHK系列 WATERPROOF DISTRIBUTION BOX-SHK SERIES (IP65)

型号	长x宽x高 (mm)	断路器可安装数
型号 Model	LxWxH(mm)	No.of breakers(pcs)
SHK2-5	140×140×105	2-5
SHK-8	185×185×105	8
SHK-12	270×195×105	12
SHK-18	370×195×105	18

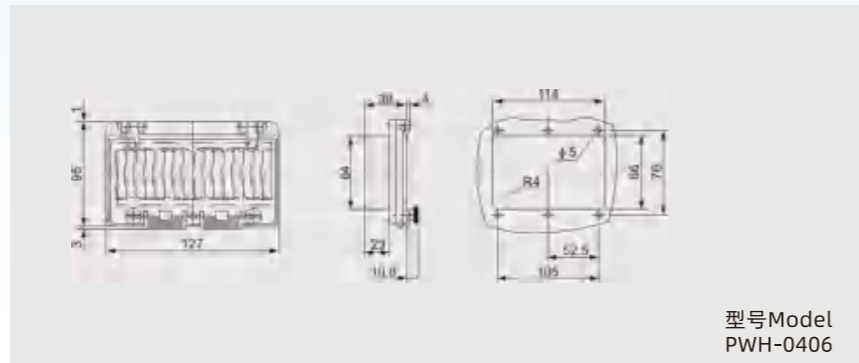
透明保护窗罩 TRANSPARENT PROTECTION WINDOW HOOD

产品图片 Product photo	窗口产品外形尺寸、安装孔及孔位图 Outline dimension, mounting hole and hole position diagram of window product
	 <p>型号Model PWH-0402</p>
	 <p>型号Model PWH-0404</p>

产品图片
Product photo



窗口产品外形尺寸、安装孔及孔位图
Outline dimension, mounting hole and hole position diagram of window product

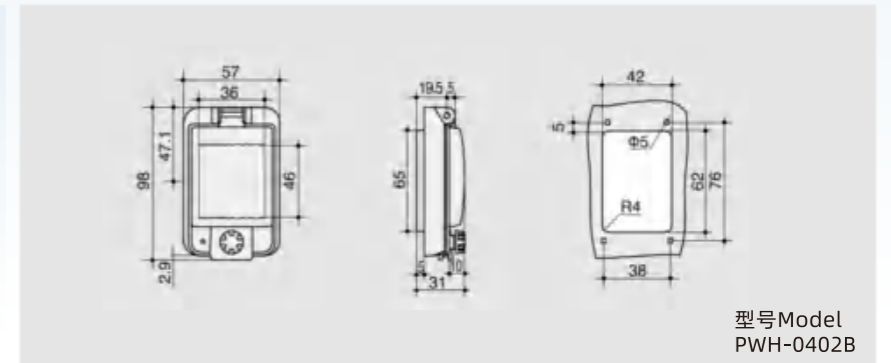


型号Model
PWH-0406

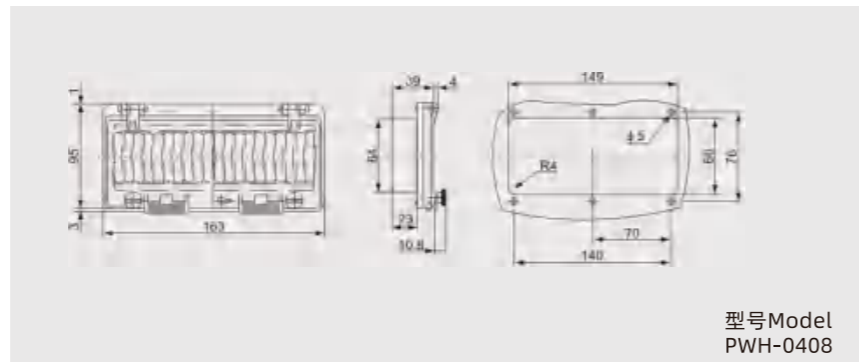
产品图片
Product photo



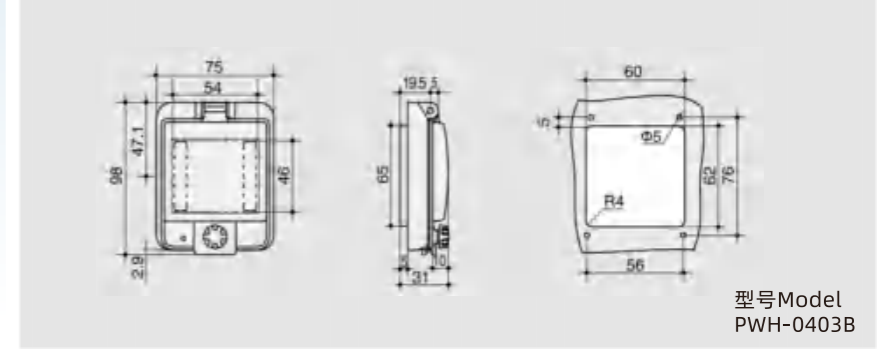
窗口产品外形尺寸、安装孔及孔位图
Outline dimension, mounting hole and hole position diagram of window product



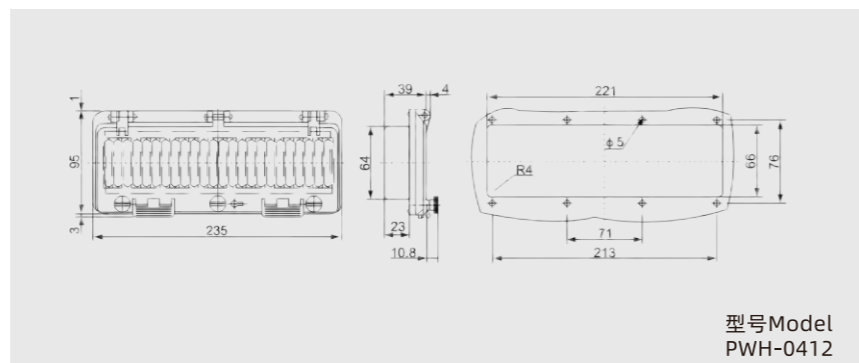
型号Model
PWH-0402B



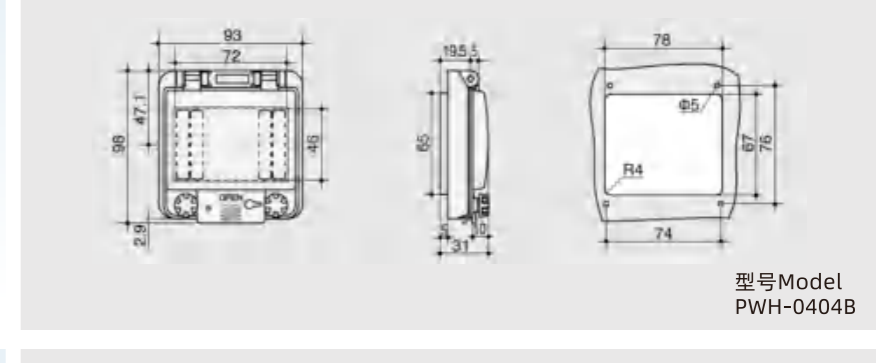
型号Model
PWH-0408



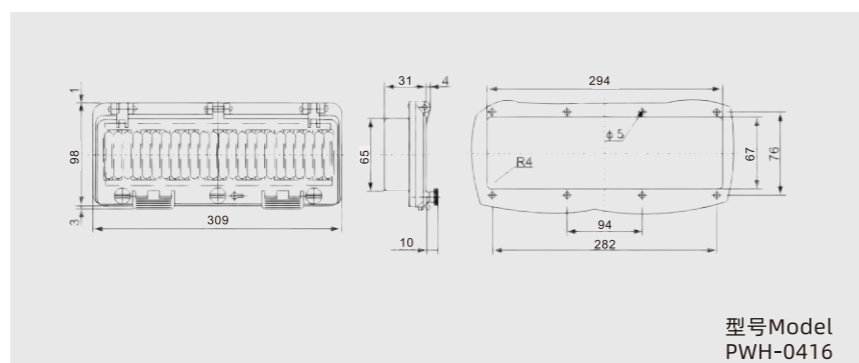
型号Model
PWH-0403B



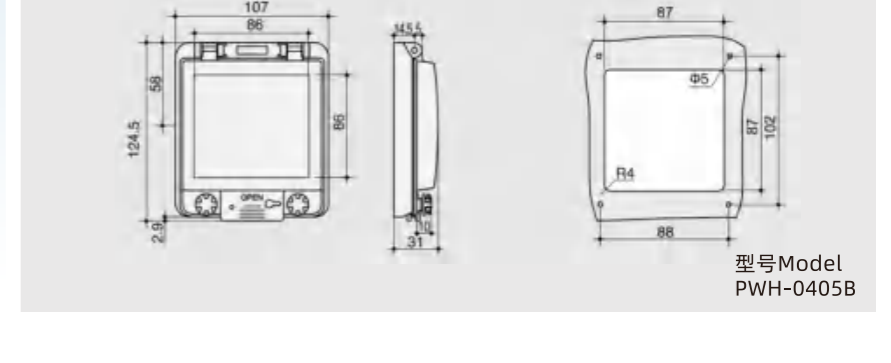
型号Model
PWH-0412



型号Model
PWH-0404B



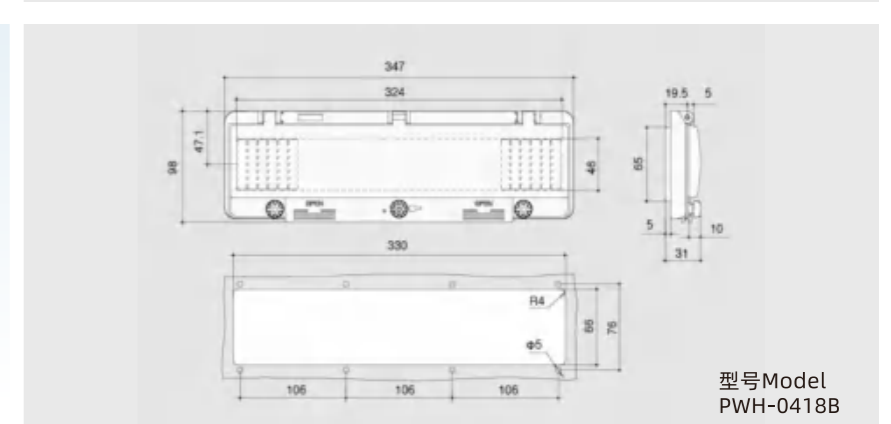
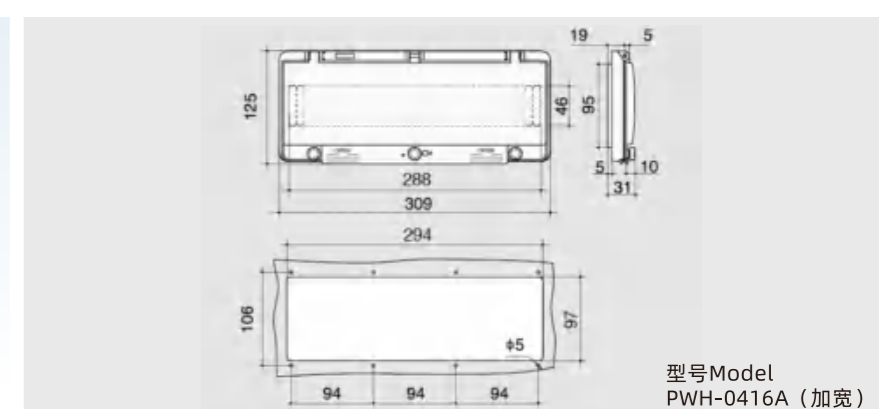
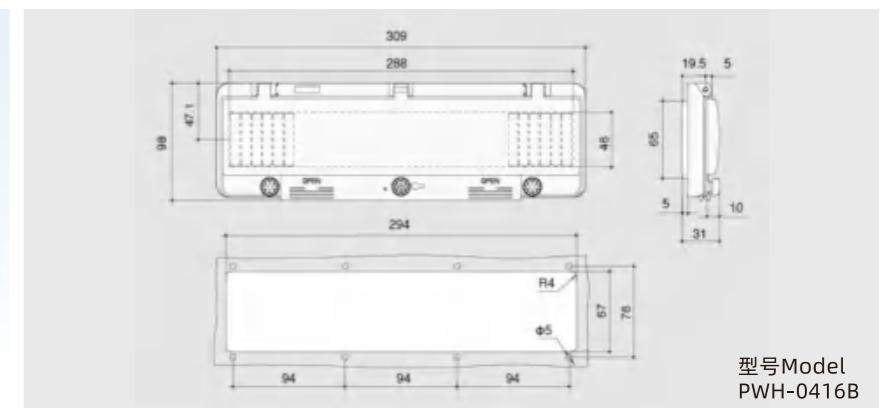
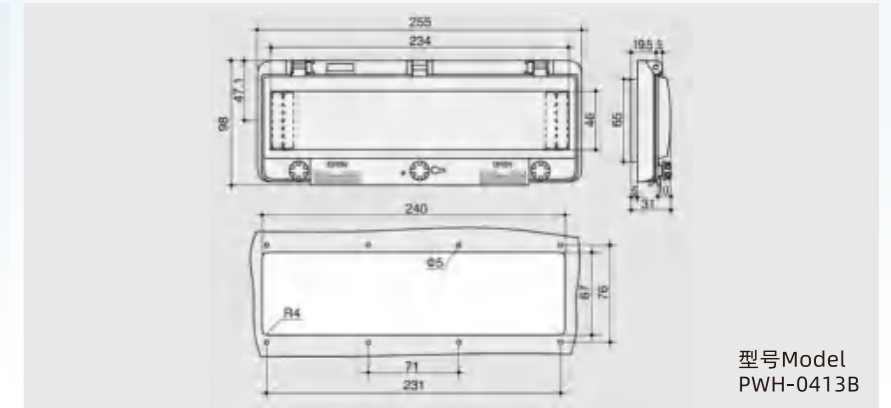
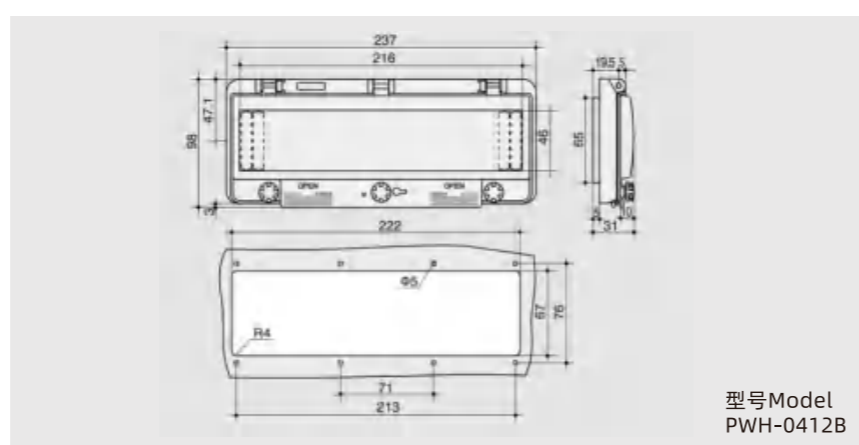
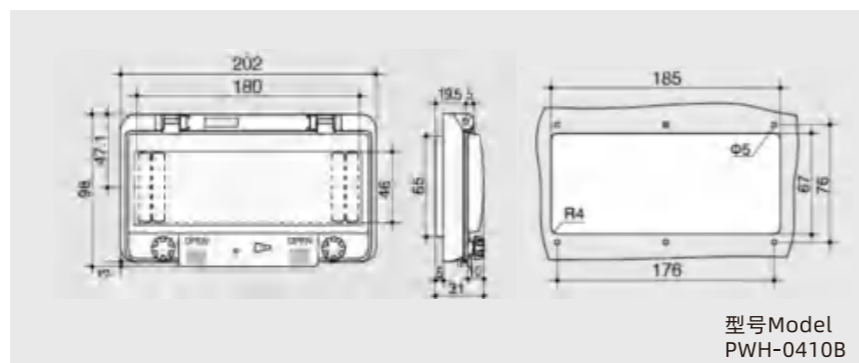
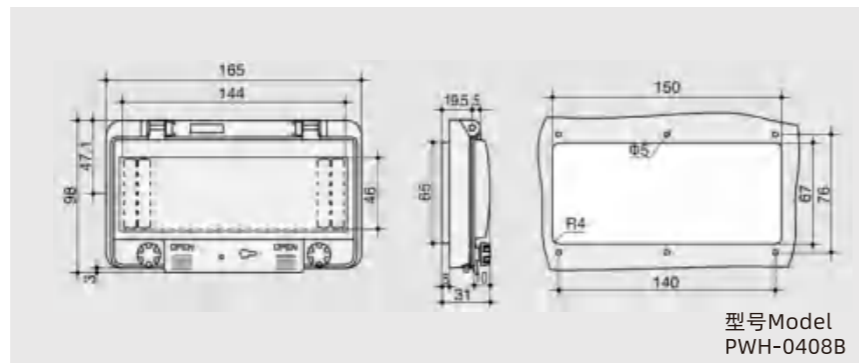
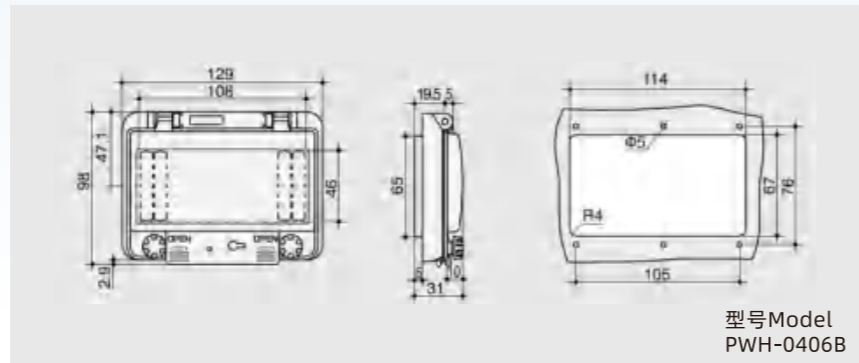
型号Model
PWH-0416



型号Model
PWH-0405B

产品图片
Product photo

窗口产品外形尺寸、安装孔及孔位图
Outline dimension, mounting hole and hole position diagram of window product

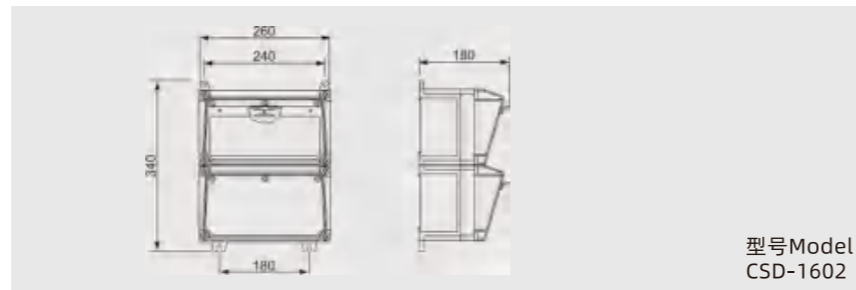


- 采用组合式结构，可根据不同应用需求灵活配置插座数量与功能单元，满足多场景用电需求。
- 具备防水、防尘、防腐性能，防护等级达 IP65，适用于户外、建筑工地及工业环境。
- 采用高品质绝缘材料制造，具有良好的电气绝缘性能与机械强度，有效提升使用安全性与稳定性。
- 可根据需求开孔及结构定制；标准品出厂为无开孔状态，便于二次加工与个性化配置。

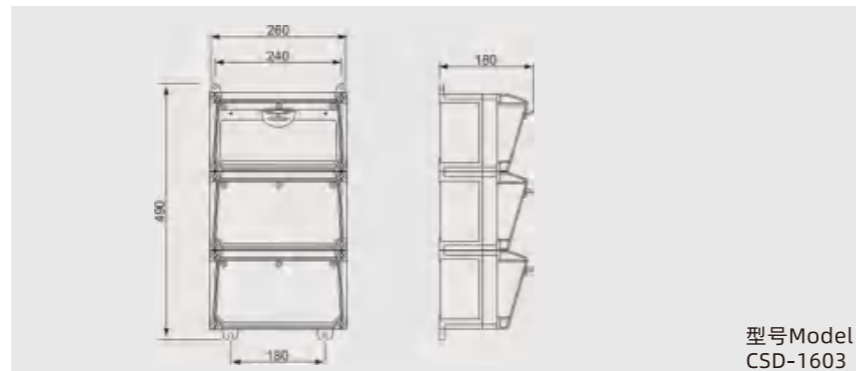
- Designed with a modular structure, allowing flexible configuration of socket quantity and functional units to meet diverse power distribution requirements.
- Features waterproof, dustproof, and anti-corrosion performance with IP65 protection rating, suitable for outdoor, construction, and industrial environments.
- Manufactured with high-quality insulating materials, offering excellent electrical insulation and mechanical strength to ensure safe and stable operation.
- Cutouts and structural configurations can be customized as required; supplied without pre-drilled holes as standard for easy secondary processing and flexible customization.



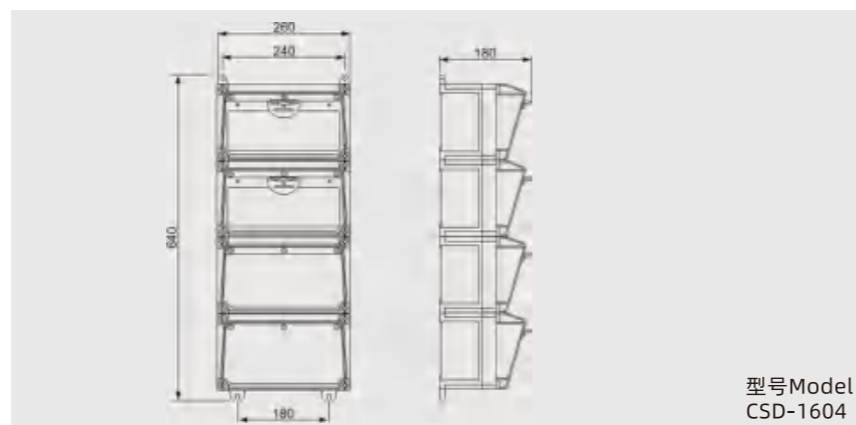
型号Model
CSD-1601



型号Model
CSD-1602



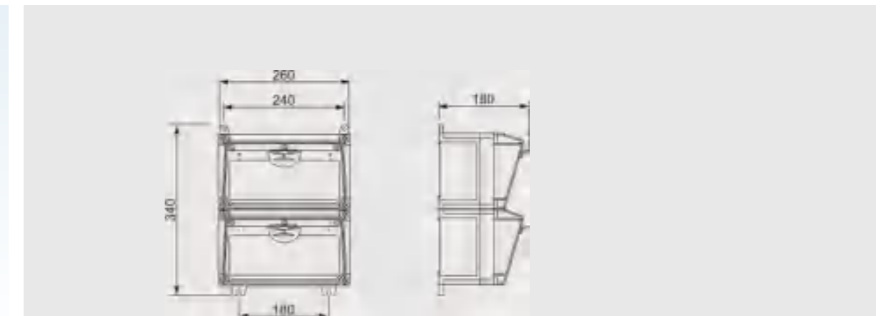
型号Model
CSD-1603



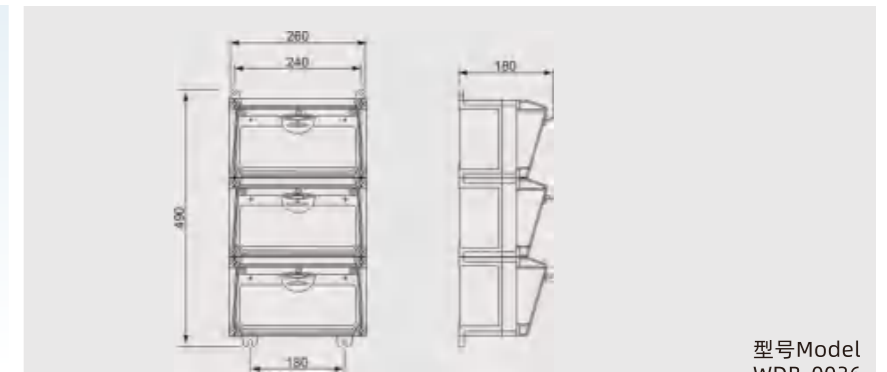
型号Model
CSD-1604



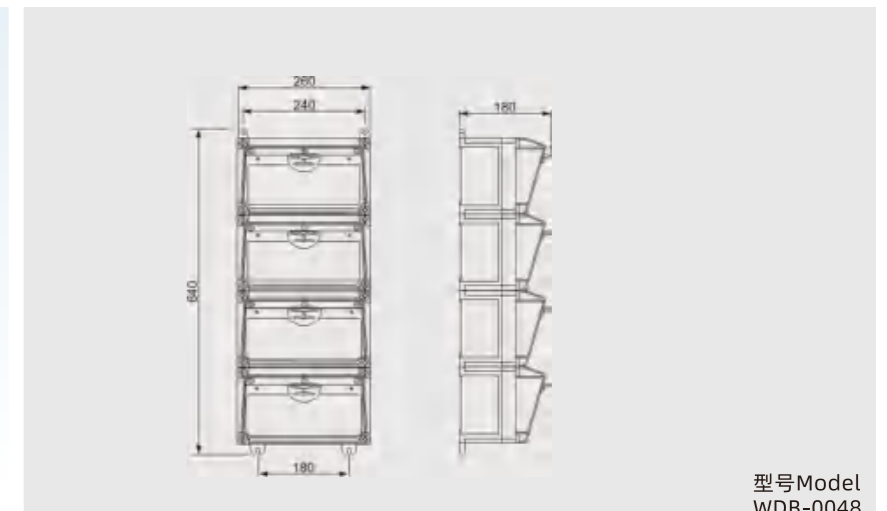
型号Model
WDB-0012



型号Model
WDB-0024



型号Model
WDB-0036



型号Model
WDB-0048

SP-S INTEGRATED SOCKET DISTRIBUTION BOX

一体式插座配电箱

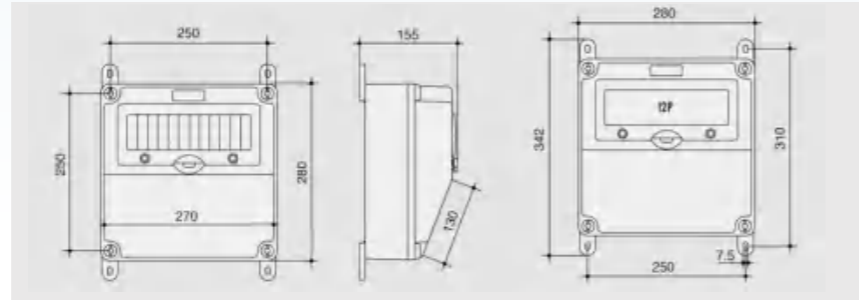


- 集配电与插座功能于一体，结构紧凑，提升空间利用率与系统集成度。
- 具备IP65防水防尘性能，配备透明可视窗口，安装便捷，适用于户外及工业环境。
- 可根据需求开孔及结构定制；标准品出厂为无开孔状态，便于二次加工与个性化配置。

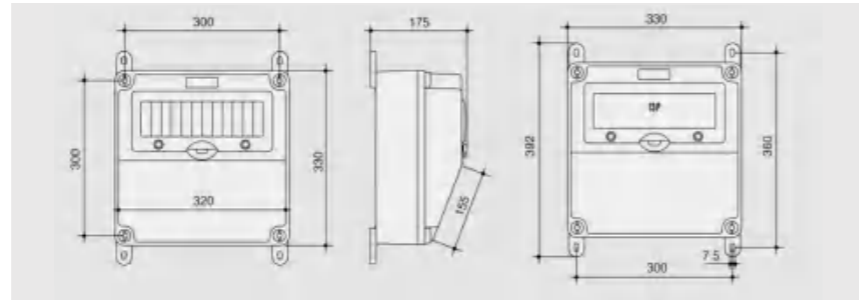
- Combines power distribution and socket functions in one unit, improving space efficiency and system integration.
- IP65 protection with a transparent window for easy monitoring and installation, ideal for outdoor and industrial use.
- Cutouts and structural configurations can be customized as required; supplied without pre-drilled holes as standard for easy secondary processing and flexible customization.



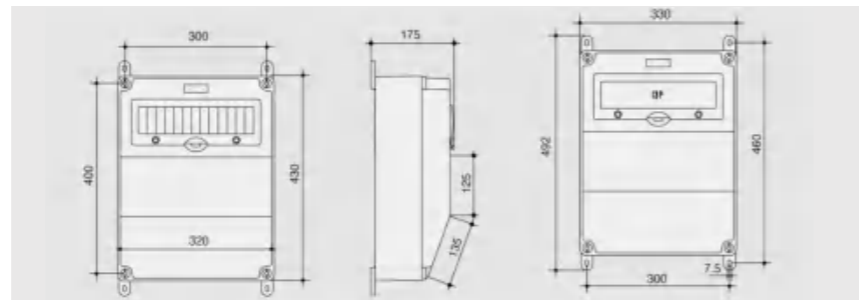
型号Model:SP-S-282815



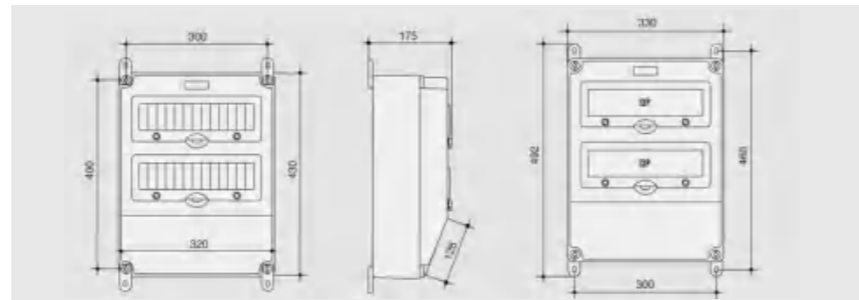
型号Model:SP-S-333317



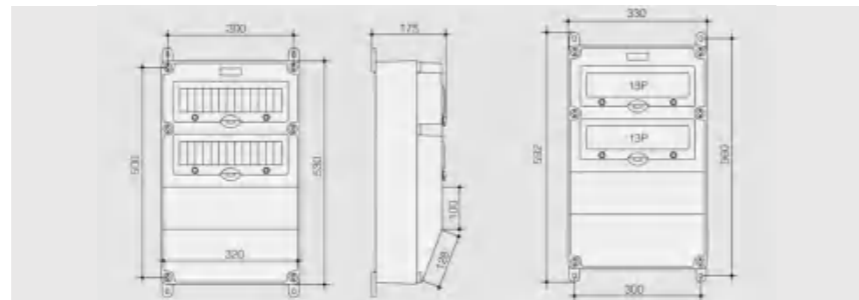
型号Model:SP-S-334317A



型号Model:SP-S-334317B



型号Model:SP-S-335317

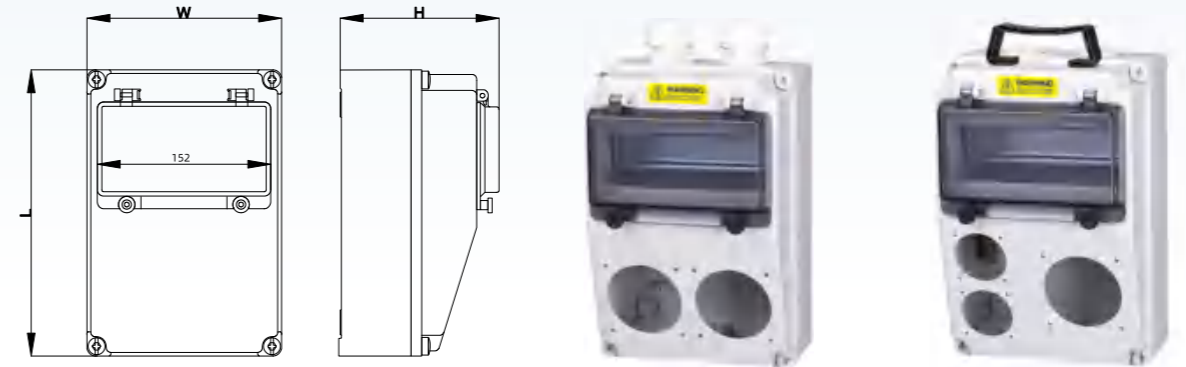


CSD SPS PORTABLE WATERPROOF DISTRIBUTION BOX

便携式防水配电箱



手提式插座配电箱 PORTABLE SOCKET DISTRIBUTION BOX



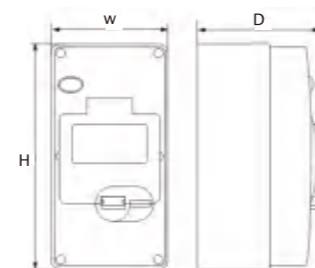
- 方便携带，提供灵活的电源输出。
 - 防护等级IP65。
 - 可根据需求开孔及结构定制；标准品出厂为无开孔状态，便于二次加工与个性化配置。
- Portable, and provide flexible power supply output.
 - Protection degree IEC60529, IP65.
 - Cutouts and structural configurations can be customized as required; supplied without pre-drilled holes as standard for easy secondary processing and flexible customization.

型号 Model	尺寸 Dimension	长(mm) L	宽(mm) W	厚(mm) H	备注 Remark
CSD-1801		240	120	120	
CSD-1802		260	170	140	带防水接头 With waterproof connector
CSD-1803		260	170	140	带提手 with handle

SPS配电箱 WATERPROOF DISTRIBUTION BOX-SPS SERIES

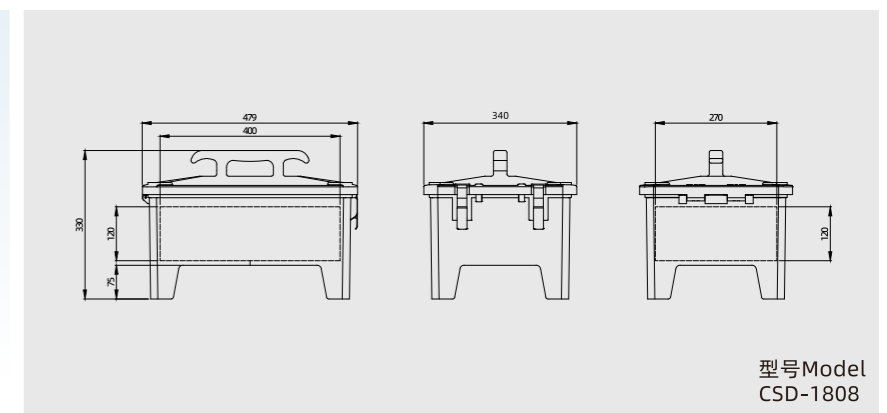
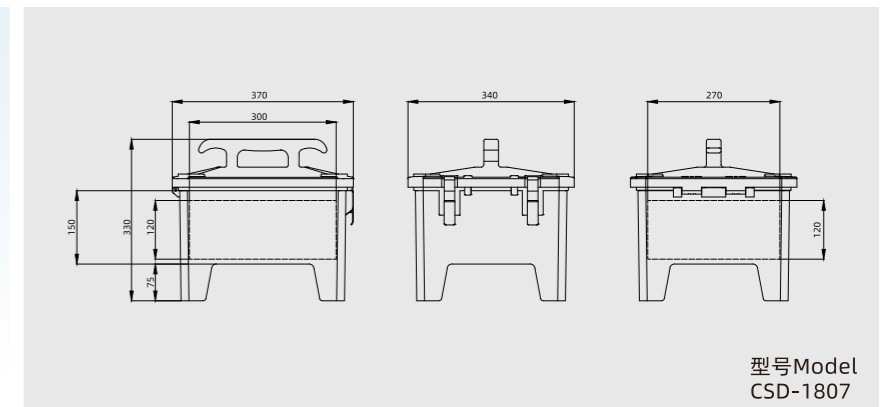
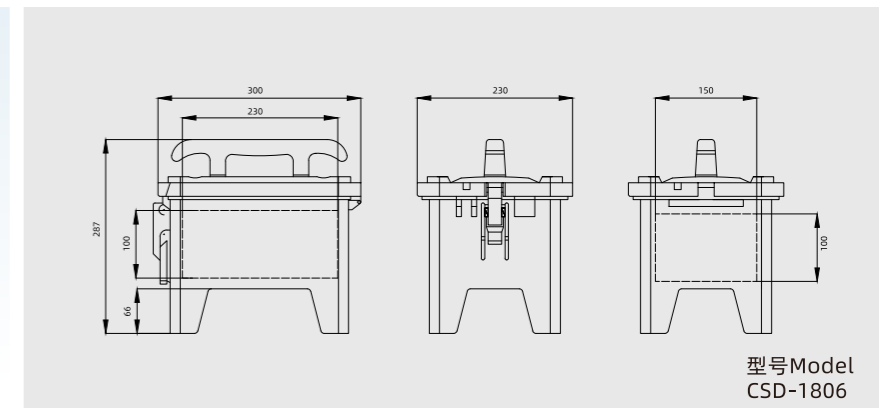
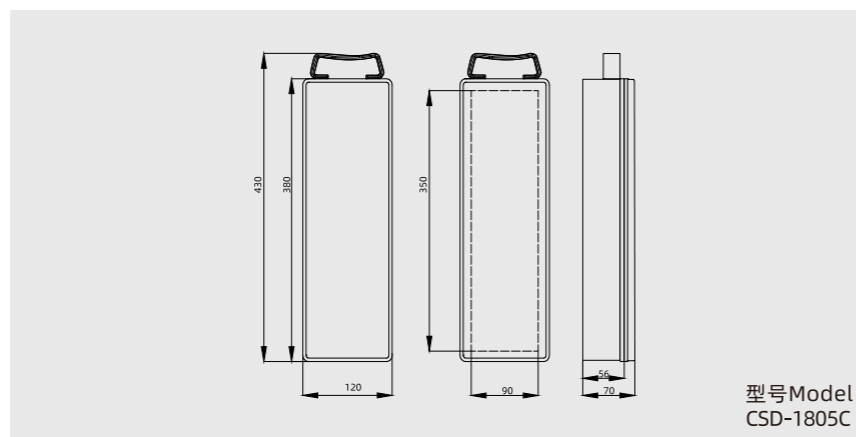
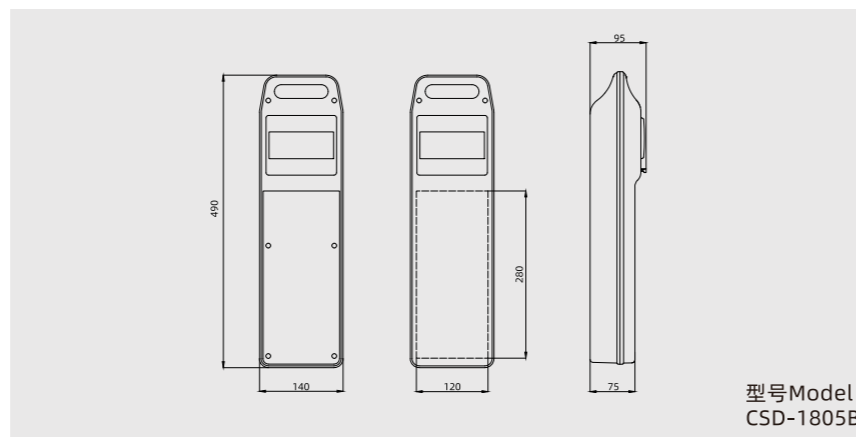
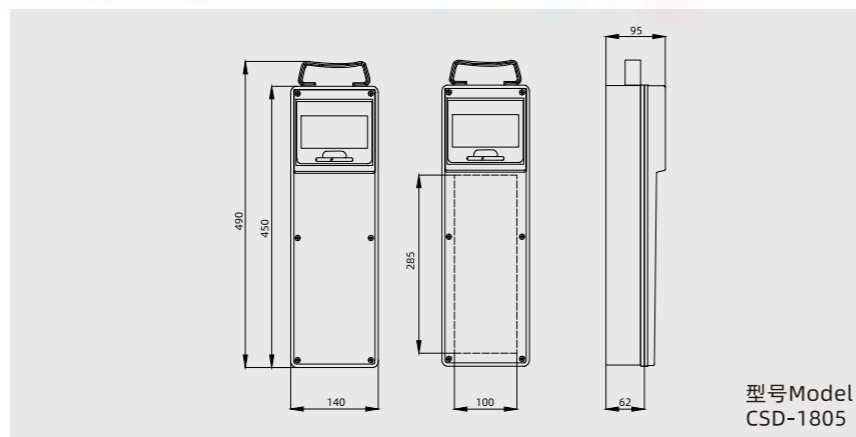


尺寸规格 PRODUCT FEATURES



技术参数 TECHNICAL DATA

规格	产品尺寸(axbxc)mm
Specification	Size(HXWxD)mm
SPS-2ways	120x55x90
SPS-3 ways	175x85x100
SPS-4 ways	200x100x100
SPS-8 ways	200x200x100





56CB3N

56E Series

产品特性 PRODUCT FEATURES

- 所有安装后箱为耐紫外线硬质RVC构造，以便配件胶合和导管引入。
- 足够的管道和电缆引入装置，足够的接线空间以方便安装。
- 所在螺线管引入装置提供有插头。多联外壳的模块之间有铸模桥架，确保开关和插座嵌在一连续层面上。多联箱也可设置铸模间隔物，以隔离服务，并与4, 6, 8, 9以及16联外壳同标准。
- 每个外壳有许多安装点和220/10密封插头，双重绝缘安装螺钉头，确保达到IP额定保护等级。
- 铸模垫片随开关和插座模块一起供应。
- Mounting Back Boxes are moulded in UV stabilized rigid RVC to facilitate glueing of fittings for conduit entry.
- Ample conduit and cable entries are provided and there is plenty of wiring room for easy installation.
- All screwed conduit entries are provided with plugs. The multigang enclosures feature moulded bridges between modules to ensure switches and sockets sit flush on a continuous surface. Moulded dividers are also available for multigang boxes to Segregate services and are standard with 4,6,8,9,ang 16 gang enclosures.
- Each enclosure has a number of mounting points and 220/10 Sealing Plugs a re provided to double insulate mounting screw heads and ensure the IP rating.
- Moulded gaskets are supplied with switch and socket modules.

- 可选项Options Available
耐久性橙色在型号后加RO，例如56E2RO。
Resistant Orang -add RO to Catalog Number e.g. 56E2 becomes 56E2RO.
- 安装附件Mounting Accessories
不锈钢杆安装架装备适用于56E2,56E3以及56E4VH模块，型号56PMK。
不锈钢安装脚适用于所有外壳，目录号为56MF。
- Stainless steel pole mounting bracket kit to suit 56E2, 56E3 and 56E4VH Modules.
Catalogue No 56PMK.
Stainless steel mounting feet suit all enclosures.
Catalogue Number56MF.

技术参数 TECHNICAL DATA

型号	联数	外形尺寸(H)x(W)x(D)	安装点	导管引入装置数(mm)	截取规定(mm)
Model	No.of Gangs	O/A Dims (H)x(W)x(D)	Mounting Points	No.of Conduit Entries(mm)	Cut out Provision(mm)
56E1	1	101x101x63	8	2x25,1x32	1x25/32
56E51	1	101x101x38	4	1x25,1x20	1x20x/25
56E2	2	198x101x63	8	2x25,1x32	1x25,1x32
56ED2	2	198x101x100	8	2x40	1x25,1x32
56E52	2	198x101x38	4	1x25,2x32	2x20/25
56E2/4EL	2	198x101x105	8	2x25,1x32	1x25,1x31
56E3	3	294x101x63	16	2x25,1x32	2x25,1x32
56E4	4	198x198x63	16	2x25,2x32	2x25,1x32,1x40
56E4VH	4	391x101x63	16	2x25,1x32	2x25,1x32,1x40
56E6	6	294x198x63	24	2x25,2x32	2x25,2x32,2x40
56E8	8	391x198x63	28	2x25,2x32	4x25,2x32,2x40
56E9	9	294x294x63	28	2x25,2x32	4x25,1x32,1x40
56E16	16	391x391x63	48	2x25,2x32	6x25,6x32,4x40

- 外壳盖(盖)Enclosure Lide(Covers)
外壳盖为耐紫外线聚碳酸酯构造。全部28mm高，并配有密封垫片。
Mounting enclosure lids are moulded in UV stabilised polycarbonate. All are 28mm high and supplied complete with sealing gasket.
- 可选项 Option available
◎耐久性橙色在型号后加RO，例如56L1加RO后就是56L1RO。
◎化学性质56L1可选耐久性灰色在型号后加CG，例如56L1加CG后就是56L1CG。
◎Resistant Orange-add RO to Cat.NO.e.g.56L1 becomes 56L1RO.
◎56L1 available in Chemical Resistant Grey-add CG to Catalogue Number e.g.56L1 becomes 56L1CG.



接线盒 JUNCTION BOXES

56系列接线盒是专为工业环境设计。中性连接器适用于3x6mm²电缆以及密封垫片。提供25mm和32mm螺纹导管引入装置和密封插头，电缆引入装置在后面截取。

56 Series Junction Boxes are designed for industrial environments. Neutral conn-ectors for up to 3x6mm² cable and sealing gasket. 25mm and 32mm screwed conduit entries and sealing plugs are provided, as are cable entry cut outs in the back.

- 可选项 Options available
◎耐久性橙色只用于56JB1和56JB2，在型号后加RO，例如56JB1加RO后就是56JB1RO。
◎Resistant Orange for 56JB1 and 56JB2 only-Add RO to Catalogute Number e.g. 56 JB1 becomes 56JB1RO.

型号	联数	外形尺寸(H)x(W)x(D)	截取(mm)
Model	No.of Gangs	O/A Dims (H)x(W)x(D)	Cut outs(mm)
56JB1	1	107x101x90	1x25x32
56JB2	2	204x101x90	1x25,1x32
56JB3	3	300x101x90	2x25,1x32
56JB4	4	201x198x90	2x25,1x32,1x40



- 可选项 Options available
◎耐久性橙色在型号后加RO，例如56CB1N加RO后就是56CB1NRO。
◎Resistant Orange -Add RO to Catalogute Number e.g. 56 CB1N becomes 56CB1NRO.
◎化学性质灰色在型号后加CG，例如56CBIN加CG后就是56CBINCG。
◎Chemical Grey-add CG to Catalogue Number e.g.56CBIN becomes 56CBINCG.



型号	联数	尺寸Dimensions(mm)				
Model	No.of Gangs	A	B	C	D	E
56L1	1	95	95	28	84	84
56L2	2	192	95	28	84	181
56L3	3	288	95	28	84	277
56L4	4	192	192	28	181	181



开关设备总成 Switchgear Cover Assemblies

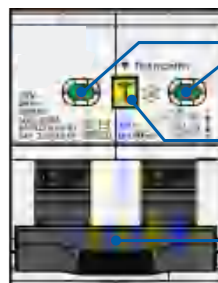
- ◎56系列二联盖总成成为耐冲击性聚碳酸酯构成，特殊设计的安装架，安装架适用于全部范围的断路器、RCDs以及MCB/RCDs组合。
- ◎盖适用于所有56系列外壳（最小标准深度为63mm）并提供氖灯指示器，氖灯指示器可从开关的线路或负载侧接线。
- ◎The 56 Series Two Gang Cover Assemblies are moulded in hi-impact Polycarbonate and feature a specially designed mounting basket which will accommodate the full range of circuit breakers,RCDs and combination MCB/RCDs.
- ◎Covers suit all 56 Series Enclosures (minimum standard depth 63mm) and Are supplied with neon indicators which can be wired from either the line Or load side of the switch

型号	模块类型	相数	模块宽度
Model	Module Type	No.of Phases	Module Width
56CB1N	MCB	1	1
56CB2N	MCB	2	2
56CB3N	MCB	3	3
56CB4N	MCB	4	4
56EL2N	4EL RCD	2	21/2
*56EL2	4EL RCD	2	21/2
56EL4N	4EL RCD	4	4



产品特性 PRODUCT FEATURES

- 便携式电源插座（带剩余电流及过载保护），内置电子式RCD/MCB组合装置。
- 透明防护盖保护RCD装置，可视化RCBO运行状态。
- 底座精密接缝防尘防水可达IP33，并能进行线缆收纳。
- 提手设计更符合人体工学，握持起来更舒适便携。
- 独立开关双极带保护门插座，满足国际安规认证要求，独立开关控制对应分路保护机制。
- 颜色可以定制
- Portable Power Socket (with Residual Current and Overload Protection) built-in electronic RCD/MCB combination device.
- Transparent Protective Cover protects the RCD device and provides a clear view of the RCBO operating status.
- Precision-sealed base ensures dust and water resistance up to IP33 and allows cable storage.
- Ergonomic Handle Design provides a more comfortable and portable grip.
- Independent Switch & Dual-Pole Socket with Protective Shutter complies with international safety standards, with independent switch control for corresponding circuit protection.
- Color customization is supported



触头位置指示:

- 指示触头状态
- 绿色：触头分闸，RCBO处于OFF位置
- 红色：触头合闸，RCBO处于ON位置

CONTACT POSITION INDICATION:

- Indicate the Contact Status
- Green - OFF Position
- Red - ON Position

测试按钮

按压按钮检测漏电保护功能

TEST BUTTON

Press to test for correct RCD function

操作手柄

- 手动开/关操作
- 手柄向上操作：使RCBO合闸
- 手柄向下操作：使RCBO分闸

OPERATIONAL HANDLE

- Manual ON/OFF Operation
- Pushed Up - RCBO Closed
- Press Down - RCBO Open

型号 Model	插孔数量 Number of Outlets	额定电流 Current Rating	剩余电流动作值 RCD Trip Current	RCD 类型 RCD Type	线缆规格 Cord Spec
SG110	2	10A	30mA	Type A	3G*1.0mm2*1.6mm
SG210	4	10A	30mA	Type A	3G*1.0mm2*1.6mm
SG115	2	15A	30mA	Type A	3G*1.5mm2*1.6mm
SG215	4	15A	30mA	Type A	3G*1.5mm2*1.6mm

CABLE GLAND

防水接头



SAIPWELL ELEC.

Copyright © SaipWell ELEC. All Right Reserved Deliver happiness to everyone

PG

PG TYPE CABLE GLAND

PG型防水接头



外形尺寸 DIMENSIONS



RoHs
CE

IP68防尘、防水测试合格

产品特性 PRODUCT FEATURES

- 材料: 尼龙PA(UL File NO:E 240925)
 - 密封件: 丁腈橡胶 (NBR)
 - 防护等级: IP68
 - 环境温度: 静态-40°C至100°C, 短时至120°C, 动态-20°C至80°C, 短时至100°C
 - 供货颜色: 灰色 RAL7035
黑色 RAL9005
其它颜色请询问
- Material:Nylon
 - Rubber gasket:Nitrile rubber(NBR)
 - ProtectionGrade: IP68
 - Ambient temperature:stick-40°C to 100°C,for short time 120°C,Dynamic -20°C to 80°C,For short time 100°C
 - Color: Gray RAL7035
Black RAL9005
others color available

技术参数 TECHNICAL DATA

型号 Model	$\varnothing k$ mm	GL mm	H mm	ψ mm	AG mm	订货号 Art.No.	
						灰色 Gray RAL 7035	黑色 Black RAL 9005
PG7	3-6.5	8	22	16	12	MP0708060	MP0708061
PG7	2-5	8	22	16	12	MP0708050	MP0708051
PG9	4-8	8	26	19	16	MP0908080	MP0908081
PG9	2-6	8	26	19	16	MP0908060	MP0908061
PG11	5-10	8	27	22	18	MP1108100	MP1108101
PG11	3-7	8	27	22	18	MP1108070	MP1108071
PG13.5	6-12	9	28	24	20	MP1309120	MP1309121
PG13.5	5-9	9	28	24	20	MP1309090	MP1309091
PG16	10-14	10	30	27	22	MP1610140	MP1610141
PG16	7-12	10	30	27	22	MP1610120	MP1610121
PG19	12-15	10	30	27/28	24	MP1910150	MP1910151
PG19	10-12	10	30	27/28	25	MP1910120	MP1910121
PG21	13-18	10	35	33	28	MP2110180	MP2110181
PG21	9-16	10	35	33	28	MP2110160	MP2110161
PG25	16-21	11	34	35/36	30	MP2511210	MP2511211
PG25	13-18	11	34	35/36	30	MP2511180	MP2511181
PG29	18-25	12	40	41/42	37	MP2912250	MP2912251
PG29	13-20	12	40	41/42	37	MP2912200	MP2912201
PG36	22-32	14	48	52/53	47	MP3614320	MP3614321
PG36	20-26	14	48	52/53	47	MP3614260	MP3614261
PG42	32-38	14	49	60/61	54	MP4214380	MP4214381
PG42	25-31	14	49	60/61	54	MP4214310	MP4214311
PG48	37-44	14	50	64/65	59	MP4814440	MP4814441
PG48	29-35	14	50	64/65	59	MP4814350	MP4814351
PG63	42-50	27	60	72	70	MP6327500	MP6327501

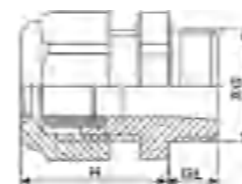
M型

M TYPE CABLE GLAND

M型防水接头



外形尺寸 DIMENSIONS



RoHs
CE

IP68防尘、防水测试合格

产品特性 PRODUCT FEATURES

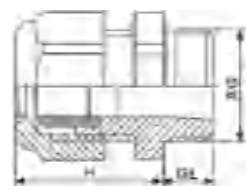
- 材料: 尼龙PA(UL File NO:E 240925)
 - 密封件: 丁腈橡胶 (NBR)
 - 防护等级: IP68
 - 环境温度: 静态-40°C至100°C, 短时至120°C, 动态-20°C至80°C, 短时至100°C
 - 供货颜色: 灰色 RAL7035
黑色 RAL9005
其它颜色请询问
- Material:Nylon
 - Rubber gasket:Nitrile rubber(NBR)
 - ProtectionGrade: IP68
 - Ambient temperature:stick-40°C to 100°C,for short time 120°C,Dynamic -20°C to 80°C,For short time 100°C
 - Color: Gray RAL7035
Black RAL9005
others color available

技术参数 TECHNICAL DATA

型号 Model	$\varnothing k$ mm	GL mm	H mm	ψ mm	AG mm	订货号 Art.No.	
						灰色 Gray RAL 7035	黑色 Black RAL 9005
M12 x1.5	3-6.5	8	22	16	12	M1208060	M1208061
M12 x1.5	2-5	8	22	16	12	M1208050	M1208051
M14 x1.5	4-8	8	26	19	14	M1408080	M1408081
M14 x1.5	2-6	8	26	19	14	M1408060	M1408061
M16 x1.5	4-8	8	26	19	16	M1608080	M1608081
M16 x1.5	2-6	8	26	19	16	M1608060	M1608061
M16 x1.5	5-10	8	27	22	16	M1608100	M1608101
M16 x1.5	3-7	8	27	22	16	M1608070	M1608071
M18 x1.5	5-10	8	27	22	18	M1808100	M1808101
M18 x1.5	3-7	8	27	22	18	M1808070	M1808071
M20 x1.5	6-12	9	28	24	20	M2009120	M2009121
M20 x1.5	5-9	9	28	24	20	M2009090	M2009091
M20 x1.5	10-14	10	30	27	20	M2010140	M2010141
M20 x1.5	7-12	10	30	27	20	M2010120	M2010121
M22 x1.5	10-14	10	30	27	22	M2210140	M2210141
M22 x1.5	7-12	10	30	27	22	M2210120	M2210121
M24 x1.5	12-15	10	30	27	24	M2410150	M2410151
M24 x1.5	10-12	10	30	27	24	M2410120	M2410121
M25 x1.5	13-18	10	35	33	25	M2510180	M2510181
M25 x1.5	9-16	10	35	33	25	M2510160	M2510161
M27 x1.5	13-18	10	35	33	27	M2710180	M2710181
M27 x1.5	9-16	10	35	33	27	M2710160	M2710161
M30 x1.5	16-21	11	34	35/36	30	M3011210	M3011211
M30 x1.5	7-15	11	34	35/36	30	M3011150	M3011151
M32 x1.5	12-21	11	34	36/37	32	M3211210	M3211211
M32 x1.5	7-15	11	34	36/37	32	M3211150	M3211151
M32 x1.5	18-25	12	40	41/42	32	M3212250	M3212251
M32 x1.5	13-20	12	40	41/42	32	M3212200	M3212201
M36 x1.5	18-25	12	40	41/42	36	M3612250	M3612251
M36 x1.5	13-20	12	40	41/42	36	M3612200	M3612201
M40 x1.5	22-32	14	48	52/53	40	M4014320	M4014321
M40 x1.5	20-26	14	48	52/53	40	M4014260	M4014261
M50 x1.5	32-38	14	49	60/61	50	M5014380	M5014381
M50 x1.5	25-31	14	49	60/61	50	M5014310	M5014311
M63 x1.5	37-44	14	50	67	63	M6314440	M6314441
M63 x1.5	29-35	14	50	67	63	M6314350	M6314351



外形尺寸 DIMENSIONS



RoHs
CE

IP68防尘、防水测试合格

产品特性 PRODUCT FEATURES

- 材料: 尼龙PA(UL File NO:E 240925)
 - 密封件: 丁腈橡胶 (NBR)
 - 防护等级: IP68
 - 环境温度: 静态-40°C至100°C, 短时至120°C, 动态-20°C至80°C, 短时至100°C
 - 供货颜色: 灰色 RAL7035
黑色 RAL9005
其它颜色请询问
- Material:Nylon
 - Rubber gasket:Nitrile rubber(NBR)
 - ProtectionGrade: IP68
 - Ambient temperature:static-40°C to 100°C,for short time 120°C,Dynamic -20°C to 80°C,For short time 100°C
 - Color: Gray RAL7035
Black RAL9005
others color available

技术参数 TECHNICAL DATA

型号 Model	规格 mm	GL mm	H mm	Φ mm	AG mm	订货号 Art.No.	
						灰色 Gray RAL 7035	黑色 Black RAL 9005
PGL7	3-6.5	15	22	15/16	12.5	P0715060	P0715061
PGL7	2-5	15	22	15/16	12.5	P0715050	P0715051
PGL9	4-8	15	26	19	15.2	P0915080	P0915081
PGL9	2-6	15	26	19	15.2	P0915060	P0915061
PGL11	5-10	15	27	22	18.6	P1115100	P1115101
PGL11	3-7	15	27	22	18.6	P1115070	P1115071
PGL13.5	6-12	15	28	24	20.4	P1315120	P1315121
PGL13.5	5-9	15	28	24	20.4	P1315090	P1315091
PGL16	10-14	15	30	27	22.5	P1615140	P1615141
PGL16	7-12	15	30	27	22.5	P1615120	P1615121
PGL21	13-18	15	35	33	28.3	P2115180	P2115181
PGL21	9-16	15	35	33	28.3	P2115160	P2115161
PGL29	18-25	18	40	41/42	37	P2918250	P2918251
PGL29	13-20	18	40	41/42	37	P2918200	P2918201
PGL36	22-32	18	48	52/53	47	P3618320	P3618321
PGL36	20-26	18	48	52/53	47	P3618260	P3618261
PGL42	32-38	18	49	60/61	54	P4218380	P4218381
PGL42	25-31	18	49	60/61	54	P4218310	P4218311
PGL48	37-44	18	50	64	59.3	P4818440	P4818441
PGL48	29-35	18	50	64	59.3	P4818350	P4818351



外形尺寸 DIMENSIONS



RoHs
CE

IP68防尘、防水测试合格

产品特性 PRODUCT FEATURES

- 材料: 尼龙PA(UL File NO:E 240925)
 - 密封件: 丁腈橡胶 (NBR)
 - 防护等级: IP68
 - 环境温度: 静态-40°C至100°C, 短时至120°C, 动态-20°C至80°C, 短时至100°C
 - 供货颜色: 灰色 RAL7035
黑色 RAL9005
其它颜色请询问
- Material:Nylon
 - Rubber gasket:Nitrile rubber(NBR)
 - ProtectionGrade: IP68
 - Ambient temperature:static-40°C to 100°C,for short time 120°C,Dynamic -20°C to 80°C,For short time 100°C
 - Color: Gray RAL7035
Black RAL9005
others color available

技术参数 TECHNICAL DATA

型号 Model	规格 mm	GL mm	H mm	Φ mm	AG mm	订货号 Art.No.	
						灰色 Gray RAL 7035	黑色 Black RAL 9005
ML12 x1.5	3-6.5	15	22	15/16	12	M1215060	M1215061
ML12 x1.5	2-5	15	22	15/16	12	M1215050	M1215051
ML16 x1.5	4-8	15	26	19	16	M1615080	M1615081
ML16 x1.5	2-6	15	26	19	16	M1615060	M1615061
ML16 x1.5	5-10	15	27	22	16	M1615100	M1615101
ML16 x1.5	3-7	15	27	22	16	M1615070	M1615071
ML18 x1.5	5-10	15	27	22	18	M1815100	M1815101
ML18 x1.5	3-7	15	27	22	18	M1815070	M1815071
ML20 x1.5	6-12	15	28	24	20	M2015120	M2015121
ML20 x1.5	5-9	15	28	24	20	M2015090	M2015091
ML20 x1.5	10-14	15	30	27	20	M2015140	M2015141
ML20 x1.5	7-12	15	30	27	20	M2015120	M2015121
ML22 x1.5	10-14	15	30	27	22	M2215140	M2215141
ML22 x1.5	7-12	15	30	27	22	M2215120	M2215121
ML25 x1.5	13-18	15	35	33	25	M2515180	M2515181
ML25 x1.5	9-16	15	35	33	25	M2515160	M2515161
ML32 x1.5	18-25	15	40	41/42	32	M3215250	M3215251
ML32 x1.5	13-20	15	40	41/42	32	M3215200	M3215201
ML40 x1.5	19-28	18	43	45/46	40	M4018280	M4018281
ML40 x1.5	15-23	18	43	45/46	40	M4018230	M4018231
ML40 x1.5	22-32	18	48	52/53	40	M4018320	M4018321
ML40 x1.5	20-26	18	48	52/53	40	M4018260	M4018261
ML50 x1.5	27-35	18	48	55/56	50	M5018350	M5018351
ML50 x1.5	22-29	18	48	55/56	50	M5018290	M5018291
ML50 x1.5	32-38	18	49	60/61	50	M5018380	M5018381
ML50 x1.5	25-31	18	49	60/61	50	M5018310	M5018311
ML63 x1.5	37-44	18	50	64	63	M6318440	M6318441
ML63 x1.5	29-35	18	50	64	63	M6318350	M6318351
ML63 x1.5	34-45	19	57	67/68	63	M6319450	M6319451
ML63 x1.5	28-38	19	57	67/68	63	M6319390	M6319391



产品特性 PRODUCT FEATURES

- 用于户外电缆连接需要防水的地方，如路灯、桥梁隧道灯、园林照明、大型电子显示屏等。
- 符合标准: IEC60529 IP68
EN 60309
- 颜色可选: 灰/黑色
- For outdoor cable connections where require the waterproof function, such as street lamps, bridge and tunnel lights, garden illumination, large elec-tronic displays, etc.
- Executive standard: IEC60529 IP68
EN 60309
- Colors Available: Grey/Black

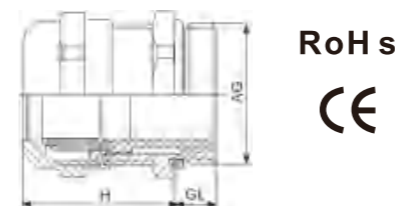
技术参数 TECHNICAL DATA

产品图片 Product Image	线路图 Wiring diagram	2芯护套线规格 2 core sheathed cable specifications	
		规格 Specification (mm ²)	电缆外径 Cable diameter(mm)
<p>PG11 电缆直径 Φ5-10mm PG11 Cable Diameter Φ5-10mm</p>		2x0.2	4.2
		2x0.3	5.0
		2x0.5	5.8
		2x0.75	6.0
		2x1	6.8
		2x1.5	7.8
		2x2.5	9.6
		2x4	11.5
		2x6	13

产品图片 Product Image	线路图 Wiring diagram	3芯护套线规格 3 core sheathed cable specifications	
		规格 Specification (mm ²)	电缆外径 Cable diameter(mm)
<p>PG13.5 电缆直径 Φ6-12mm PG13.5 Cable Diameter Φ6-12mm</p>		3x0.2	4.4
		3x0.3	5.3
		3x0.5	6.2
		3x0.75	6.4
		3x1	7.15
		3x1.5	8.45
		3x2.5	10.4
		3x4	12.3
		3x6	13.5



外形尺寸 DIMENSIONS



IP68防尘、防水测试合格

产品特性 PRODUCT FEATURES

- 材料: 黄铜镀镍
- 夹紧件: 尼龙PA (UL File NO:E 240925)
- 密封件: 丁腈橡胶 (NBR)
耐候橡胶 (EPDM)
- 防护等级: IP68 (旋紧部位)
- 环境温度: -40°C至100°C, 短时至120°C
- Material: brass plating nickel
- Clamping: PA (UL File NO:E 240925)
- Rubber gasket: Nitrile rubber(NBR)
- Protection Grade: IP68
- Ambient temperature: stick~40°C to 100°C, for short time 120°C, Dynamic -20°C to 80°C, For short time 100°C

技术参数 TECHNICAL DATA

型号 Model	κk mm	GL mm	H mm	φ mm	AG mm	订货号 Art.No.
PG7	3-6.5	5	19	14	12.5	P070806
PG7	2-5	5	19	14	12.5	P070505
PG9	4-8	6	20	17	15.2	P090608
PG9	2-6	6	20	17	15.2	P090606
PG11	5-10	6	21	20	18.6	P110610
PG11	3-7	6	21	20	18.6	P110607
PG13.5	6-12	6.5	22	22	20.4	P130712
PG13.5	5-9	6.5	22	22	20.4	P130709
PG16	10-14	6.5	23	24	22.5	P160714
PG16	7-12	6.5	23	24	22.5	P160712
PG21	13-18	7	25	30	28.3	P210718
PG21	9-16	7	25	30	28.3	P210716
PG29	18-25	8	29	40	37	P290825
PG29	13-20	8	29	40	37	P290820
PG36	22-32	8	35	50	47	P360832
PG36	20-26	8	35	50	47	P360826
PG42	32-38	9	37	57	54	P420938
PG42	25-31	9	37	57	54	P420931
PG48	37-44	10	38	64	59.3	P481044
PG48	29-35	10	38	64	59.3	P481035

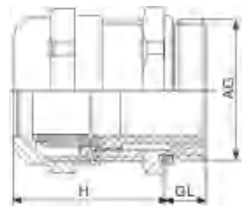
M型**M TYPE METAL CABLE GLAND**

M型金属防水接头



外形尺寸 DIMENSIONS

产品特性 PRODUCT FEATURES



RoHs
CE

- 材料：黄铜镀镍
- 夹紧件：尼龙PA (UL File NO:E 240925)
- 密封件：丁腈橡胶 (NBR)
耐候橡胶 (EPDM)
- 防护等级：IP68 (旋紧部位)
- 环境温度：-40°C至100°C，短时至120°C

- Material: brass plating nickel
- Clamping: PA (UL File NO:E 240925)
- Rubber gasket: Nitrile rubber(NBR)
- Protection Grade: IP68
- Ambient temperature: stick~40°C to 100°C,for short time 120°C,Dynamic -20°C to 80°C,For short time 100°C

IP68防尘、防水测试合格

技术参数 TECHNICAL DATA

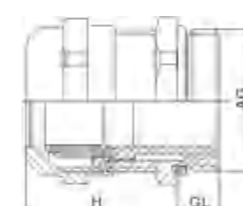
型号	￠k	GL	H	Φ	AG	订货号
Model	mm	mm	mm	mm	mm	Art.No.
M12×1.5	3-6.5	5	19	14	12	T.M120506
M12×1.5	2-5	5	19	14	12	T.M120505
M16×1.5	4-8	6	20	17	16	T.M160608
M16×1.5	2-6	6	20	17	16	T.M160606
M16×1.5	5-10	6	21	20	16	T.M160610
M16×1.5	3-7	6	21	20	16	T.M160607
M18×1.5	5-10	6	21	20	18	T.M180610
M18×1.5	3-7	6	21	20	18	T.M180607
M20×1.5	6-12	6.5	22	22	20	T.M200712
M20×1.5	5-9	6.5	22	22	20	T.M200709
M20×1.5	10-14	6.5	23	24	20	T.M200714
M20×1.5	7-12	6.5	23	24	20	T.M200712
M22×1.5	10-14	6.5	23	24	22	T.M220714
M22×1.5	7-12	6.5	23	24	22	T.M220712
M25×1.5	13-18	7	25	30	25	T.M250718
M25×1.5	9-16	7	25	30	25	T.M250716
M32×1.5	18-25	8	29	40	32	T.M320825
M32×1.5	13-20	8	29	40	32	T.M320820
M40×1.5	22-32	8	35	50	40	T.M400832
M40×1.5	20-26	8	35	50	40	T.M400826
M50×1.5	32-38	9	37	57	50	T.M500938
M50×1.5	25-31	9	37	57	50	T.M500931
M63×1.5	37-44	10	38	68	63	T.M631044
M63×1.5	29-35	10	38	68	63	T.M631035

PGL**PGL LONG TYPE METAL CABLE GLAND**

PGL加长型金属防水接头

外形尺寸 DIMENSIONS

产品特性 PRODUCT FEATURES



RoHs
CE

- 材料：黄铜镀镍
- 夹紧件：尼龙PA (UL File NO:E 240925)
- 密封件：丁腈橡胶 (NBR)
耐候橡胶 (EPDM)
- 防护等级：IP68 (旋紧部位)
- 环境温度：-40°C至100°C，短时至120°C

- Material: brass plating nickel
- Clamping: PA (UL File NO:E 240925)
- Rubber gasket: Nitrile rubber(NBR)
- Protection Grade: IP68
- Ambient temperature: stick~40°C to 100°C,for short time 120°C,Dynamic -20°C to 80°C,For short time 100°C

IP68防尘、防水测试合格

技术参数 TECHNICAL DATA

型号	￠k	GL	H	Φ	AG	订货号
Model	mm	mm	mm	mm	mm	Art.No.
PGL7	3-6.5	10	19	14	12.5	T.P071006
PGL7	2-5	10	19	14	12.5	T.P071005
PGL9	4-8	10	20	17	15.2	T.P091008
PGL9	2-6	10	20	17	15.2	T.P091006
PGL11	5-10	10	21	20	18.6	T.P111010
PGL11	3-7	10	21	20	18.6	T.P111007
PGL13.5	6-12	10	22	22	20.4	T.P131012
PGL13.5	5-9	10	22	22	20.4	T.P131009
PGL16	10-14	10	23	24	22.5	T.P161014
PGL16	7-12	10	23	24	22.5	T.P161012
PGL21	13-18	12	25	30	28.3	T.P211218
PGL21	9-16	12	25	30	28.3	T.P211216
PGL29	18-25	12	29	40	37	T.P291225
PGL29	13-20	12	29	40	37	T.P291220
PGL36	22-32	15	35	50	47	T.P361532
PGL36	20-26	15	35	50	47	T.P361526
PGL42	32-38	15	37	57	54	T.P421538
PGL42	25-31	15	37	57	54	T.P421531
PGL48	37-44	15	38	64	59.3	T.P481544
PGL48	29-35	15	38	64	59.3	T.P481535

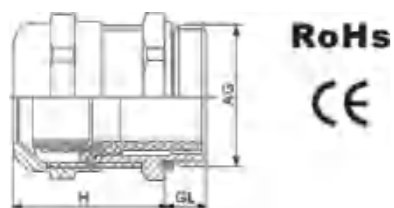
ML

ML LONG TYPE METAL CABLE GLAND

ML加长型金属防水接头



外形尺寸 DIMENSIONS



IP68防尘、防水测试合格

产品特性 PRODUCT FEATURES

- 材料: 黄铜镀镍
- 夹紧件: 尼龙PA (UL File NO:E 240925)
- 密封件: 丁腈橡胶 (NBR)
耐候橡胶 (EPDM)
- 防护等级: IP68 (旋紧部位)
- 环境温度: -40°C至100°C, 短时至120°C

- Material: brass plating nickel
- Clamping: PA (UL File NO:E 240925)
- Rubber gasket: Nitrile rubber(NBR)
- Protection Grade: IP68
- Ambient temperature: -40°C to 100°C, for short time 120°C, Dynamic -20°C to 80°C, For short time 100°C

技术参数 TECHNICAL DATA

型号	φk	GL	H	φ	AG	订货号
Model	mm	mm	mm	mm	mm	Art.No.
ML12 ×1.5	3-6.5	10	19	14	12	T.M121006
ML12 ×1.5	2-5	10	19	14	12	T.M121005
ML16 ×1.5	4-8	10	20	17	16	T.M161008
ML16 ×1.5	2-6	10	20	17	16	T.M161006
ML16 ×1.5	5-10	10	21	20	16	T.M161010
ML16 ×1.5	3-7	10	21	20	16	T.M161007
ML18 ×1.5	5-10	10	21	20	18	T.M181010
ML18 ×1.5	3-7	10	21	20	18	T.M181007
ML20 ×1.5	6-12	10	22	22	20	T.M201012
ML20 ×1.5	5-9	10	22	22	20	T.M201009
ML20 ×1.5	10-14	10	23	24	20	T.M201014
ML20 ×1.5	7-12	10	23	24	20	T.M201012
ML22 ×1.5	10-14	10	23	24	22	T.M221014
ML22 ×1.5	7-12	10	23	24	22	T.M221012
ML25 ×1.5	13-18	12	25	30	25	T.M251218
ML25 ×1.5	9-16	12	25	30	25	T.M251216
ML32 ×1.5	18-25	12	29	40	32	T.M321225
ML32 ×1.5	13-20	12	29	40	32	T.M321220
ML40 ×1.5	22-32	15	35	50	40	T.M401532
ML40 ×1.5	20-26	15	35	50	40	T.M401526
ML50 ×1.5	32-38	15	37	57	50	T.M501538
ML50 ×1.5	25-31	15	37	57	50	T.M501531
ML63 ×1.5	37-44	15	38	68	63	T.M631544
ML63 ×1.5	29-35	15	38	68	63	T.M631535

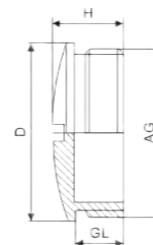
CO-PG

ROUND WATERPROOF STOPPER

圆形堵塞件



外形尺寸 DIMENSIONS



产品特性 PRODUCT FEATURES

CO-PG/CO-M型

- 材料: 尼龙PA
- 防护等级: IP54
- 环境温度: -20°C至80°C
- 供货颜色: 灰色RAL7035
黑色RAL9005
其它颜色请咨询

- Material: Nylon
- Protection Grade: IP54
- Ambient temperature: -20°C to 80°C
- Color: Gray RAL7035
Black RAL9005
others color available

技术参数 TECHNICAL DATA

型号	GL	H	D	AG	订货号 Art.No.	
Model	mm	mm	mm	mm	灰色 Gray RAL 7035	黑色 Black RAL 9005
CO-PG7	8.5	12.5	15	12.5	P0710PA	P0711PA
CO-PG9	8.5	13	19	15.2	P0910PA	P0911PA
CO-PG11	9	13	22	18.6	P1110PA	P1111PA
CO-PG13.5	9	13	25	20.4	P1310PA	P1311PA
CO-PG16	10.5	15	27	22.5	P1610PA	P1611PA
CO-PG21	10.5	15.5	33	28.3	P2110PA	P2111PA
CO-PG29	11.5	16	14	37	P2910PA	P2911PA
CO-PG36	13.5	18	55	47	P3610PA	P3611PA
CO-PG42	13.5	18.5	62	54	P4210PA	P4211PA
CO-PG48	14.5	19.5	68	59.3	P4810PA	P4811PA
CO-M12	8.5	12.5	15	12	M1210PA	M1211PA
CO-M16	8.5	13	19	16	M1610PA	M1611PA
CO-M18	9	13	22	18	M1810PA	M1811PA
CO-M20	9	13	25	20	M2010PA	M2011PA
CO-M22	10.5	15	27	22	M2210PA	M2211PA
CO-M25	10.5	15.5	30	25	M2510PA	M2511PA
CO-M27	10.5	15.5	33	27	M2710PA	M2711PA
CO-M32	10.5	16	38	32	M3210PA	M3211PA
CO-M40	11.5	16	46	40	M4010PA	M4011PA
CO-M50	13.5	18	56	50	M5010PA	M5011PA
CO-M63	14	19	68	63	M6310PA	M6311PA



外形尺寸 DIMENSIONS



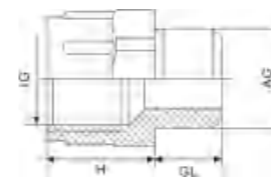
产品特性 PRODUCT FEATURES

CO-PG/CO-M型

- 材料: 尼龙PA
- 防护等级: IP54
- 环境温度: -20°C至80°C
- 供货颜色: 灰色RAL7035
黑色RAL9005
其它颜色请咨询

- Material:Nylon
- Protection Grade:IP54
- Ambient temperature:-20°C to 80°C
- Color: Gray RAL7035
Black RAL9005
others color available

外形尺寸 DIMENSIONS



产品特性 PRODUCT FEATURES

RC-PG/RC-M型

- 材料: 尼龙PA
- 环境温度: -20°C至80°C
- 供货颜色: 灰色RAL7035
黑色RAL9005
其它颜色请咨询

- Material:Nylon
- Ambient temperature:-20°C to 80°C
- Color: Gray RAL7035
Black RAL9005
others color available

技术参数 TECHNICAL DATA

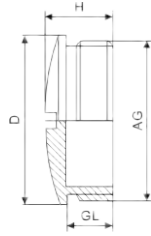
型号 Model	IG mm	GL mm	H mm	D mm	AG mm	G mm	订货号 Art.No.	
							灰色 Gray RAL 7035	黑色 Black RAL 9005
SC-PG13.5	PG9	8	12	27	20.4	15.2	P13P090	P13P091
SC-PG16	PG9	10	13	29	22.5	15.2	P16P090	P16P091
SC-PG16	PG11	10	13	29	22.5	18.6	P16P110	P16P111
SC-PG21	PG13.5	11	13.5	36	28.3	20.4	P21P130	P21P131
SC-PG21	PG16	11	13.5	36	28.3	22.5	P21P160	P21P161
SC-PG29	PG21	11	13.5	46	37	28.3	P29P210	P29P211
SC-PG36	PG29	11	15	58	47	37	P36P290	P36P291
SC-M20×1.5	M12×1.5	8	12	27	20	12	M20M120	M20M121
SC-M20×1.5	M16×1.5	8	12	27	20	16	M20M160	M20M161
SC-M25×1.5	M16×1.5	10	13	29	25	16	M25M160	M25M161
SC-M25×1.5	M20×1.5?	10	13	29	25	20	M25M200	M25M201
SC-M32×1.5	M20×1.5	11	13.5	36	32	20	M32M200	M32M201
SC-M32×1.5	M25×1.5	11	13.5	36	32	25	M32M250	M32M251
SC-M40×1.5	M25×1.5	11	13.5	46	40	25	M40M450	M40M251
SC-M40×1.5	M32×1.5	11	13.5	46	40	32	M40M320	M40M321
SC-M50×1.5	M32×1.5	11	15	58	50	32	M50M320	M50M321
SC-M50×1.5	M40×1.5	11	15	58	50	40	M50M400	M50M401

技术参数 TECHNICAL DATA

型号 Model	IG mm	GL mm	H mm	AG mm	G mm	订货号 Art.No.	
						灰色 Gray RAL 7035	黑色 Black RAL 9005
RC-PG7	PG9	15	19	12.5	15.2	P07P090	P07P091
RC-PG9	PG13.5	15	19	15.2	20.4	P09P130	P09P131
RC-PG13.5	PG21	15	19	20.4	28.3	P13P210	P13P211
RC-PG21	PG29	15	19	28.3	37	P21P290	P21P291
RC-PG29	PG36	15	19.5	37	47	P29P360	P29P361
RC-PG36	PG42	15	19.5	47	54	P36P420	P36P421
RC-PG42	PG48	15	19.5	54	59.3	P42P480	P42P481
RC-M12×1.5	M16×1.5	15	19	12	16	M07M160	M70M161
RC-M16×1.5	M20×1.5	15	19	16	20	M16M200	M16M201
RC-M20×1.5	M25×1.5	15	19	20	25	M20M250	M20M251
RC-M25×1.5	M32×1.5	15	19	25	32	M25M320	M25M321
RC-M32×1.5	M40×1.5	15	19.5	32	40	M32M400	M32M401
RC-M40×1.5	M50×1.5	15	19.5	40	50	M40M500	M40M501
RC-M50×1.5	M63×1.5	15	19.5	50	63	M50M630	M50M631



外形尺寸 DIMENSIONS



产品特性 PRODUCT FEATURES

MCO-PMCO-M型

- 材料: 黄铜镀镍
- O-密封件: 丁腈橡胶(NBR)耐侯橡胶(EPDM)
- 防护等级: IP65
- 环境温度: -40°C至100°C

- Material: Brass
- Rubber: NBR & EPDM
- Protection Degree: IP65
- Working Temp: -40°C to 100°C

技术参数 TECHNICAL DATA

型号	GL	H	D	AG	订货号 Art.No.
Model	mm	mm	mm	mm	黑色 Black RAL 9005
MCO-PG7	5	8	14	12.5	T.P071
MCO-PG9	6	9	17	15.2	T.P091
MCO-PG11	6	9	20	18.6	T.P111
MCO-PG13.5	6.5	9.5	22	20.4	T.P131
MCO-PG16	6.5	9.5	24	22.5	T.P161
MCO-PG21	7	11	30	28.3	T.P211
MCO-PG29	8	12	39	37	T.P291
MCO-PG36	9	15	50	47	T.P361
MCO-PG42	10	16	57	54	T.P421
MCO-PG48	10	16	64	59.3	T.P481
MCO-M12x1.5	5	8	14	12	T.M121
MCO-M16x1.5	6	9	18	16	T.M161
MCO-M18x1.5	6	9	20	18	T.M181
MCO-M20x1.5	6.5	9.5	22	20	T.M201
MCO-M22x1.5	6.5	9.5	24	22	T.M221
MCO-M25x1.5	7	11	28	25	T.M251
MCO-M32x1.5	8	12	35	32	T.M321
MCO-M40x1.5	9	15	44	40	T.M401
MCO-M50x1.5	10	16	54	50	T.M501
MCO-M63x1.5	10	16	70	63	T.M631



外形尺寸 DIMENSIONS



产品特性 PRODUCT FEATURES

软管快速接头

应用特点: 通用的工业尼龙制品, 仅需插入软管便可快速地完成连接固定。

软管快速接头-弯角形

应用特点: 通用的工业尼龙制品, 用于线缆出线弯角的软管保护连接, 仅需插入软管旋紧接头, 便可快捷完成连接固定。

软管

应用特点: 塑料制软管, 耐腐蚀、重量轻、强度高, 并且能耐受一定高温的软管, 能够有效的全面保护线缆。

PG型

材料: 尼龙PA(UL FileNO:E 240925)

防护等级: IP54(用O-密封圈且固定安装: IP65)

环境温度: -20°C至80°C

供货颜色: 黑色RAL9005其它颜色请询问

技术参数 TECHNICAL DATA

型号	GL	H	AG	适配软管	订货号 Art.No.
Model	mm	mm	mm	Suit for tube	黑色 Black RAL 9005
FT-PG7	10	22.5	12.5	AD10	P07D101
FT-PG9	10	22.5	15.2	AD13	P09D131
FT-PG11	10	25	18.6	AD15.8	P11D161
FT-PG13.5	11	29	20.4	AD18	P13D181
FT-PG16	12	31.5	22.5	AD21.2	P16D211
FT-PG21	12	34	28.3	AD28.5	P21D281
FT-PG29	12	36	37	AD34.5	P29D341
FT-PG36	13	38.5	47	AD42.5	P36D421
FT-PG48	15	39	59.3	AD54.5	P48D541

FT-M CONNECTOR OF FLEXIBLE TUBE

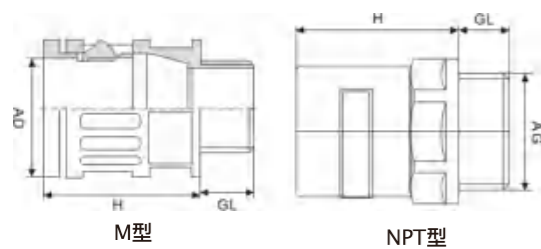
FT-MPT 软管快速接头



M型

NPT型

外形尺寸 DIMENSIONS



M型

NPT型

产品特性 PRODUCT FEATURES

FT-MFT-NPT型

- 材料: 尼龙PA
- 防护等级: IP54
(用O-密封圈且固定安装: IP65)
- 环境温度: -20℃至80℃
- 供货颜色: 黑色RAL9005
其它颜色请咨询

- Material:Nylon
- Protection Grade:IP54
- Ambient temperature:-20℃ to 80℃
- Color: Black RAL9005
others color available

技术参数 TECHNICAL DATA

型号 Model	GL mm	H mm	AG mm	适配软管 Suit for tube	订货号 Art.No. 黑色 Black RAL 9005
FT-M12×1.5	10	22.5	12	AD10	M12D101
FT-M16×1.5	10	22.5	16	AD13	M16D131
FT-M18×1.5	10	25	18	AD15.8	M18D161
FT-M20×1.5	11	29	20	AD18	M20D181
FT-M22×1.5	12	31.5	22	AD21.2	M22D211
FT-M25×1.5	12	34	25	AD28.5	M25D281
FT-M32×1.5	12	36	32	AD34.5	M32D341
FT-M40×1.5	13	38.5	40	AD42.5	M40D421
FT-M63×1.5	15	39	63	AD54.5	M63D541
FT-NPT3/8	15	30	17	AD13	N38D131
FT-NPT1/2	13	32	21.2	AD21.2	N12D211
FT-NPT3/4	13	36	26.2	AD28.5	N34D281
FT-NPT1"	15	38	33.3	AD34.5	N10D341

FT-AD AD FLEXIBLE TUBE

AD型软管



外形尺寸 DIMENSIONS



产品特性 PRODUCT FEATURES

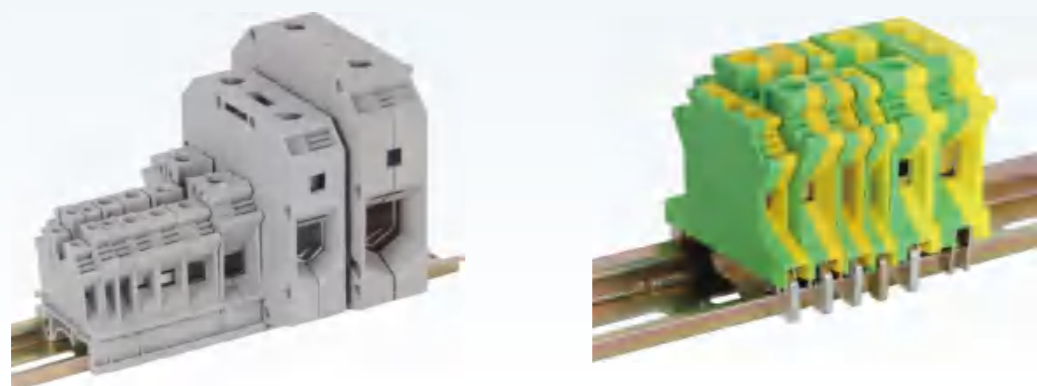
尼龙PA软管/聚乙烯PE软管

- 材料: 尼龙PA/聚乙烯 PE
- 环境温度: -40℃至100℃ / -40℃至80℃
- 弯曲性能: 很好
- 抗压性能/100mm: >450牛顿/ >200牛顿
- 有害成份: 不含卤素和镉元素
- 抗腐蚀性: 抗酒精、脂肪、燃料、无机油、弱酸弱碱类物质/抗碱
- 供货颜色: 黑色 RAL9005 其它颜色请咨询

- Material:Nylon PA/Pdytene PE
- Working temp:-40℃ to 100℃
-40℃ to 80℃
- Color: Black RAL9005

技术参数 TECHNICAL DATA

型号 Model	d mm	D mm	订货号 Art.No. 黑色 Black RAL 9005
FT-AD10	7	10	D101PA
FT-AD13	10	13	D131PA
FT-AD15.8	13	15.8	D161PA
FT-AD18	14	18	D181PA
FT-AD20	16	20	D201PA
FT-AD21.2	17	21.2	D211PA
FT-AD25	20	25	D251PA
FT-AD28.5	22.5	28.5	D281PA
FT-AD34.5	28.5	34.5	D341PA
FT-AD42.5	35	42.5	D421PA
FT-AD54.5	43	54.5	D541PA
FT-AD10	7	10	D101PE
FT-AD13	10	13	D131PE
FT-AD15.8	13	15.8	D161PE
FT-AD18	14	18	D181PE
FT-AD20	16	20	D201PE
FT-AD21.2	17	21.2	D211PE
FT-AD25	20	25	D251PE
FT-AD28.5	22.5	28.5	D281PE
FT-AD34.5	28.5	34.5	D341PE
FT-AD42.5	35	42.5	D421PE
FT-AD54.5	43	54.5	D541PE



UK系列通用接线端子 UK SERIES UNIVERSAL TERMINAL BLOCKS

型号	导线截面	额定电流 (A)	额定电压 (V)	高x宽x厚 (mm)
Model	wire section mm ²	Rated current(A)	Rated voltage(V)	HxWxD(mm)
UK1.5N	0.2-4	32	690V	42X42.5X5.7
UK2.5B	0.2-4	32	690V	42X42.5X6.2
UK3N	0.2-4	32	800V	47X42.5X5.2
UK5N	0.2-6	32	800V	47X42.5X6.2
UK6N	0.2-10	57	800V	47X42.5X8.2
UK10N	0.5-16	76	800V	47X42.5X10.2
UK16N	2.5-25	101	800V	54X42.5X12.2
UK35N	10-35	125	800V	51X55X15.3

UK系列通用接地端子 UK SERIES CURRENCY EARTHING TERMINAL

型号	导线截面	额定电流 (A)	额定电压 (V)	高x宽x厚 (mm)
Model	wire section mm ²	Rated current(A)	Rated voltage(V)	HxWxD(mm)
USLKG2.5	0.2-4	32A		42X42.5X6.2
USLKG3	0.2-4	32A		47X42.5X5.2
USLKG5	0.2-4	34A		47X42.5X6.2
USLKG6	0.2-10	57A		47X42.5X8.2
USLKG10	0.5-16	76A		47X42.5X10.2
USLKG16	2.5-25	101A		47X42.5X12.2
USLKG35	10-35	125A		51X55X15.3
UISLKG50	25-50	150A	1000V	83.5X70.5X20

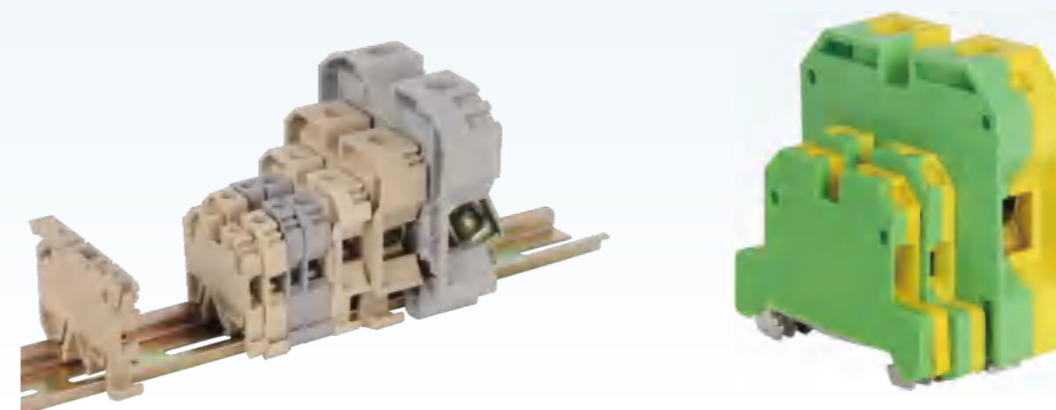
UK系列端子附件 UK SERIES TERMINAL ATTECHMENT

E/UK 紧固件
E/UK fastener挡板
Separator

标记条 Marking strip



连接条 Connector strip



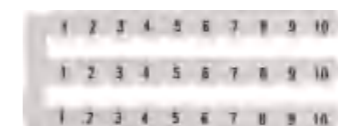
SAK/JXB系列组合接地端子 SAK/JXB SERIES COMBINED TERMINAL BLOCKS

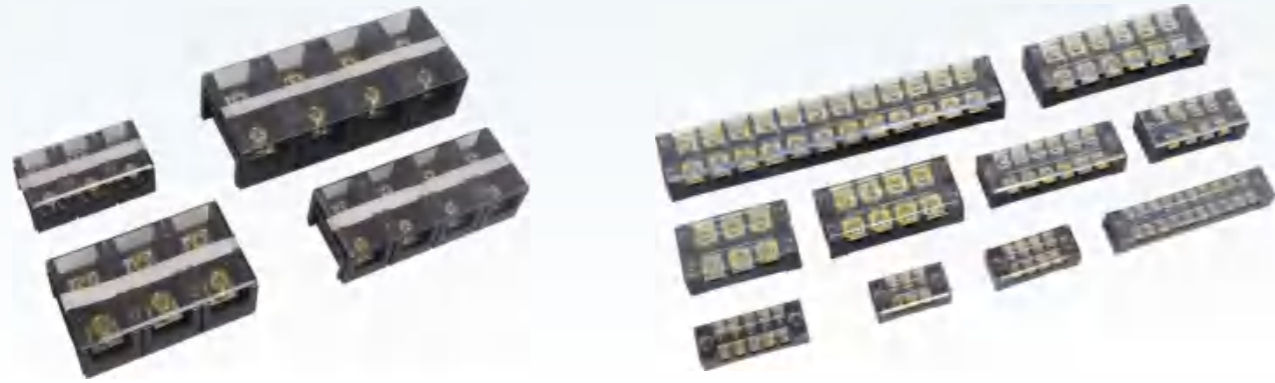
型号	导线截面	额定电流 (A)	额定电压 (V)	高x宽x厚 (mm)
Model	wire section mm ²	Rated current(A)	Rated voltage(V)	HxWxD(mm)
SAK 2.5EN	0.2-2.5	24A	800V	46.5X41X6
SAK 4EN	0.2-4	32A	800V	52X42X6.5
SAK 6EN	0.2-6	41A	800V	52X42X8
SAK 10EN	0.2-10	57A	800V	52X42X10
SAK 16EN	0.5-16	76A	800V	52X42X12
SAK 25EN	0.5-16	100A	800V	52X42X14.5
SAK 35EN	10-35	125A	800V	57.5X50X18
SAK 70/35EN	25-70	192A	800V	87X75X22
SAK RD	0.2-4	6.3A	500V	48.5X58X6
DK 4Q/35	0.2-4	32A	500V	60.5X54X6
SAK WTK	0.2-4	41A	400V	48.5X65X8

SAK/JXB系列通用接地端子 SAK/JXB SERIES CONNECTING-GROUND TERMINAL BLOCKS

型号	导线截面	高x宽x厚 (mm)	颜色
Model	wire section mm ²	HxWxD(mm)	Colour
EK 2.5/3.5	0.2-2.5	42x56x18	黄绿色(yellow and geeen)
EK 4/35	0.2-4	44x56x7	黄绿色(yellow and geeen)
EK 6/35	0.2-6	44x56x8	黄绿色(yellow and geeen)
EK 10/35	0.5-10	44x56x10	黄绿色(yellow and geeen)
EK 16/35	0.5-16	50x56x12	黄绿色(yellow and geeen)
EK 35/35	0.5-35	50x56x12	黄绿色(yellow and geeen)

SAK系列端子附件 SAK SERIES TERMINAL ATTECHMENT

挡板
Separator标记条
Marking strip连接条
Connector strip

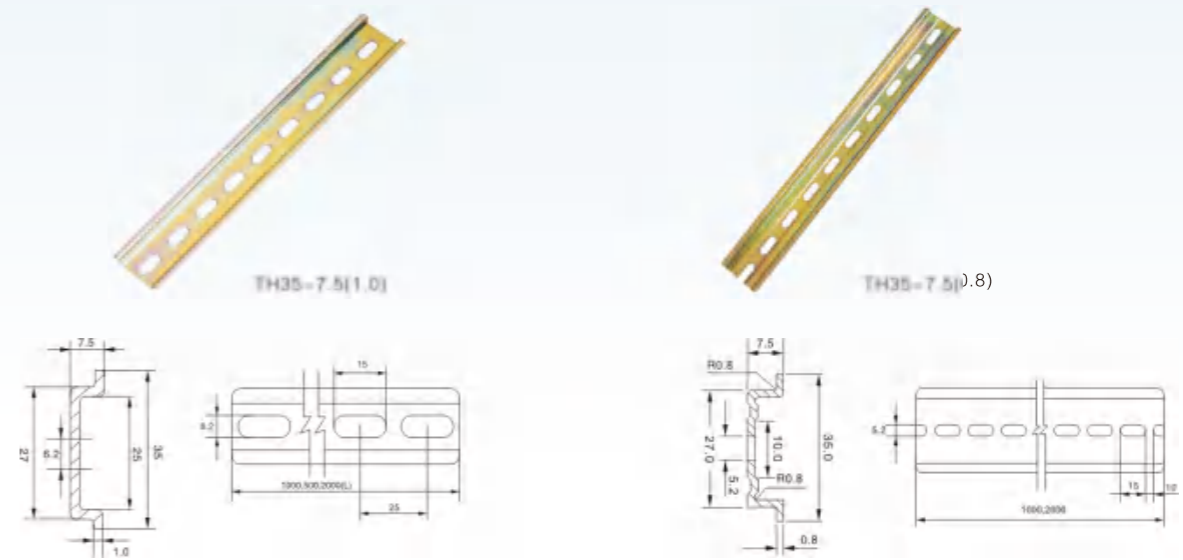


TC系列固定式接线端子 TC SERIES FIXED TERMINAL BLOCKS

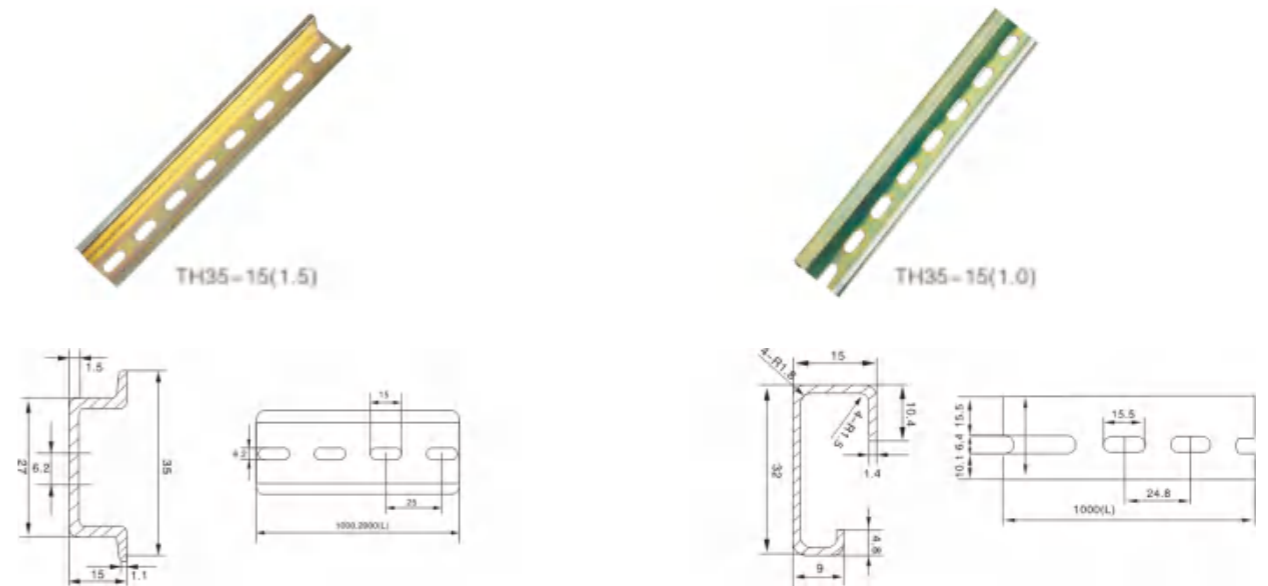
型号 Model	导线截面 wire section mm ²	额定电流 (A) Rated current(A)	额定电压 (V) Rated voltage(V)	高x宽x厚 (mm) HxWxD(mm)
TC-603	14	60	600	85X43X32.5
TC-604	14	60	600	112X43X32.5
TC-1002	22	100	600	68X54.5X37.8
TC-1003	22	100	600	104X54.5X37.8
TC-1004	22	100	600	136X55.5X37.8
TC-1503	60	150	600	117X67X40.8
TC-1504	60	150	600	157X67X40.8
TC-2003	100	200	600	134X72X46.5
TC-2004	100	200	600	177X72X46.5
TC-3003	150	300	600	164X90.5X50.6
TC-3004	150	300	600	220X98.4X50.6
TC-4003	200	400	600	164X90.5X50.6
TC-4004	200	400	600	220X89.4X50.6
TC-6003	300	600	600	205X100X75
TC-6004	300	600	600	275X100X75

TB系列固定式接线端子 TB SERIES FIXED TERMINAL BLOCKS

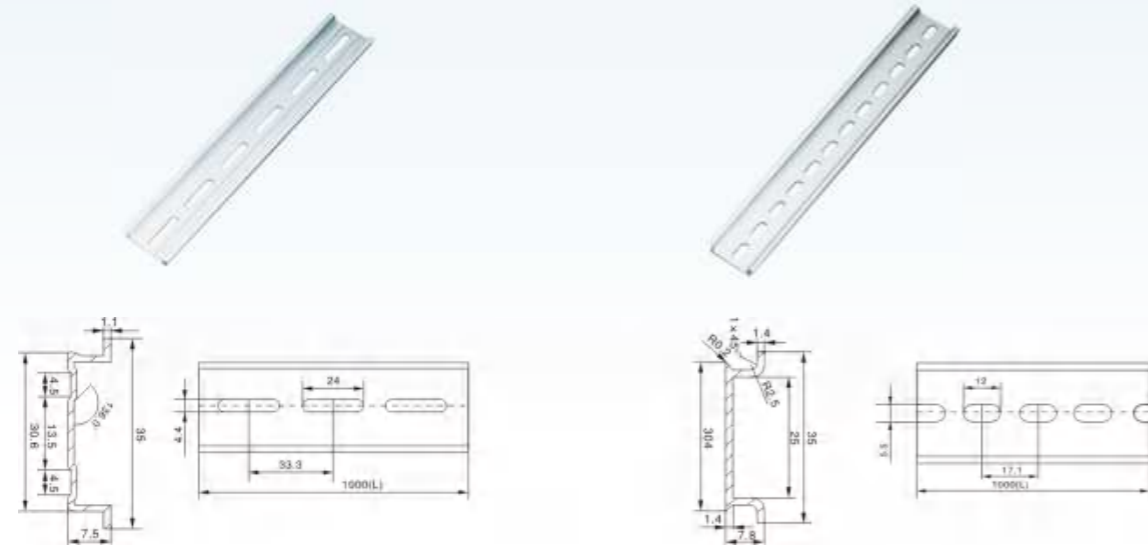
型号 Model	导线截面 wire section mm ²	额定电流 (A) Rated current(A)	额定电压 (V) Rated voltage(V)	高x宽x厚 (mm) HxWxD(mm)
TB-1503	0.5-1.5	15	600	46.5X22X17.5
TB-1504	0.5-1.5	15	600	55.5X22X17.5
TB-1505	0.5-1.5	15	600	63X22X17.5
TB-1506	0.5-1.5	15	600	73.5X22X17.5
TB-1510	0.5-1.5	15	600	103X22X17.5
TB-1512	0.5-1.5	15	600	128.5X22X17.5
TB-2503	0.5-2.5	25	600	55X30X19
TB-2504	0.5-2.5	25	600	67X30X19
TB-2505	0.5-2.5	25	600	79X30X19
TB-2506	0.5-2.5	25	600	91X30X19
TB-2510	0.5-2.5	25	600	140X30X19
TB-2512	0.5-2.5	25	600	163X30X19
TB-3503	0.5-2.5	35	600	50X30X19
TB-3504	0.5-2.5	35	600	67X30X19
TB-3506	0.5-2.5	35	600	91X30X19
TB-3512	1.5-4	35	600	163X30X19
TB-4503	1.5-4	45	600	70X38X23.5
TB-4504	1.5-4	45	600	85X38X23.5
TB-4505	1.5-4	45	600	102.5X38X23.5
TB-4506	1.5-4	45	600	120.5X38X23.5
TB-4512	1.5-4	45	600	222X38X23.5
TB-60A/3P	2.5-6	60	600	125X34X22
TB-60A/4P 6P/12P	2.5-6	60	600	200X34X22
TB-100A/3P/4P 6P/12P	2.5-10	100	600	170X39X23



电气安装轨 DIN Rail	型号规格 Model TH35-7.5 (1.0)	型号规格 Model TH35-7.5 (0.8)
尺寸 Size	宽 X 高 X 厚 35 X 7.5 X 1.0 mm Width X High X Deep	宽 X 高 X 厚 35 X 7.5 X 0.8 mm Width X High X Deep
开孔尺寸 Hold size	Φ 6.2 X 15mm	Φ 6.2 X 15mm
长度 Length	1米或2米 1m or 2m	1米或2米 1m or 2m
订货号 Code	06060	06062



电气安装轨 DIN Rail	型号规格 Model TH35-15 (1.5)	型号规格 Model TH35-15 (1.0)
尺寸 Size	宽 X 高 X 厚 35 X 15 X 1.5 mm Width X High X Deep	宽 X 高 X 厚 35 X 15 X 1.0 mm Width X High X Deep
开孔尺寸 Hold size	Φ 6.2 X 15mm	Φ 6.2 X 15mm
长度 Length	1米或2米 1m or 2m	1米或2米 1m or 2m
订货号 Code	06063	06064



电气安装轨	型号规格 Model	型号规格 Model
DIN Rail	TH35-7.5 (1.1)	TH35-7.5 (0.8)
尺寸 Size	宽 X 高 X 厚 35 X 7.5 X 1.1 mm Width X High X Deep	宽 X 高 X 厚 35 X 7.5 X 0.8 mm Width X High X Deep
长度 Length	1米或2米 1m or 2m	1米或2米 1m or 2m
订货号 Code	06066	06068

导轨配件 RAIL PARTS



C45 塑料固定件 SDW-203
C45 Plastic end stopper SDW-203

SDK-22 固定件
SDK-22 End Stopper

E-UK 固定件
E-UK End Stopper



导轨切断器: 适用于TH35-7.5 TH35-15
Rail Cutter: Suit for TH35-7.5 TH35-15

IP AND IK CLASSIFICATIONS
IP、IK 防护等级标准

First Number	防固形物	Second Number	防水	IK	防物理冲击
1P	Protection	1P	Protection	IK	Test
0	无防护 No protection		无防护 No protection		无防护 No protection
1	防护50mm直径和更大的固体外来体 protected against solid objects up to 50 mm e.g. to 50 mm e.g. hands		防护垂直落下的水滴 protected against vertically falling drops of water	-	冲击<1 焦耳 impact <1 joule
2	防护12.5mm直径和更大的固体外来体 protected against solid objects up to 12.5 mm e.g. fingers		箱体倾斜15°时, 防护垂直落下的水滴 protected against direct sprays of water up to 15° from the vertical		1焦耳冲击 impact 1 joule
3	防护2.5mm直径和更大的固体外来体 protected against solid objects over 2.5mm (tools+small wires)		防护以60°角从垂直线两侧溅出的水 protected against water sprayed from all directions-limited ingress permitted		2焦耳冲击 impact 2 joule
4	防护1.0mm直径和更大的固体外来体 protected against solid objects over 1mm (tools+small wires)		防护从每个方向对准箱体的溅水 protected against water sprayed from all directions-limited ingress permitted		5焦耳冲击 impact 5 joule
5	防护灰尘 protected against dust-limited ingress permitted (no harmful deposit)		防护从每个方向对准箱体的低压喷水 protected against low pressure jets of water from all directions-limited ingress permitted		10焦耳冲击 impact 10 joule
6	灰尘封闭 totally protected against dust		防护从每个方向对准箱体的高压喷水 protected against strong jets of water e.g. for use on shipdecks-limited ingress permitted		20焦耳冲击 impact 20 joule
			防护在15cm~1m深水浸入30分钟 protected against the effects of immersion between 15 cm and 1m		
			防护长时间浸入水中 protected against long periods of immersion under pressure		